

## FAPY 50

LongLife DC tachogenerator in industrial NEMA 12 housing with foot mount and solid shaft

Article number: 11055497

### Overview

- For replacement of "PY" or "BC" style tachogenerators
- Low response time
- Open circuit voltage 50 V per 1000 rpm
- Housing foot B3
- Very high resistance to shock
- High signal quality due to patented LongLife technology
- Recognition of sense of rotation possible via control
- CSA / C / US approved
- With own bearings



### Technical data

#### Technical data - electrical ratings

Reversal tolerance	≤0.1 %
Linearity tolerance	≤0.15 %
Temperature coefficient	± 0.05 %/K (open-circuit)
Isolation class	B
Calibration tolerance	±1 %
Climatic test	Humid heat, constant (IEC 60068-2-3, Ca)
Armature-circuit time-constant	<75 μs
Open-circuit voltage	50 V per 1000 rpm
Interference immunity	EN 61000-6-2
Emitted interference	EN 61000-6-3
Approval	CE, CSA C/US

#### Technical data - mechanical design

Size (flange)	3.88"
Shaft type	.312" DIA / .318" DIA solid shaft

#### Technical data - mechanical design

Flange	NEMA 12 housing with foot mount
Protection EN 60529	IP 55
Operating speed	≤10000 rpm
Torque	1.5 Ncm
Rotor moment of inertia	1.1 kgcm <sup>2</sup>
Admitted shaft load	≤60 N axial ≤80 N radial
Material	Housing: aluminium die-cast Shaft: stainless steel
Operating temperature	-22...+266 °F
Resistance	IEC 60068-2-6 Vibration 10 g, 10-2000 Hz IEC 60068-2-27 Shock 300 g, 1 ms
Weight approx.	2.6 kg
Connection	Terminal box

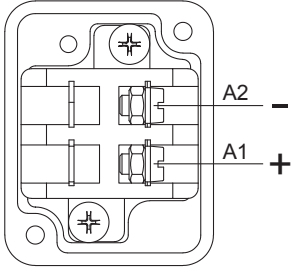
# FAPY 50

LongLife DC tachogenerator in industrial NEMA 12 housing with foot mount and solid shaft

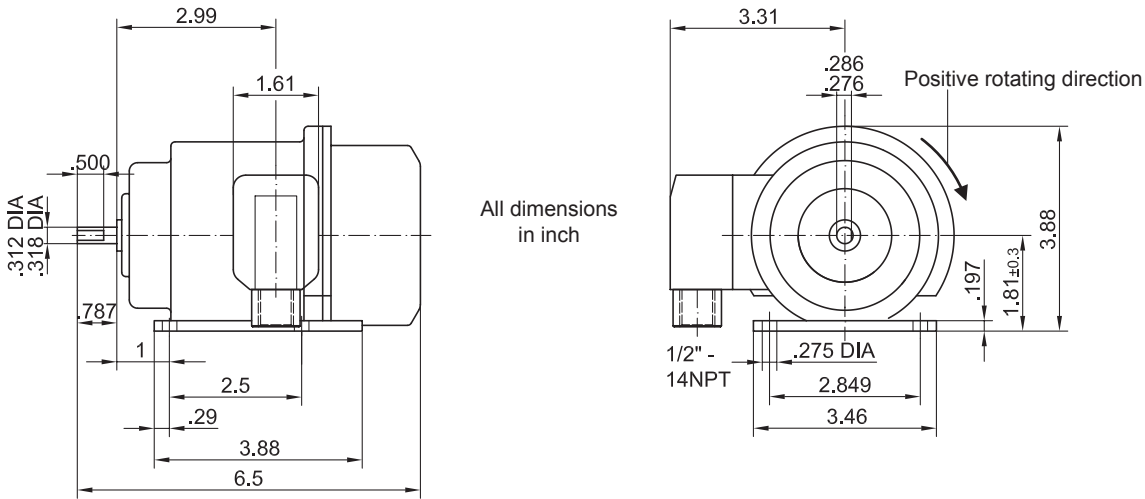
Article number: 11055497

## Terminal assignment

Polarity for positive rotating direction



## Dimensions



# FAPY 50

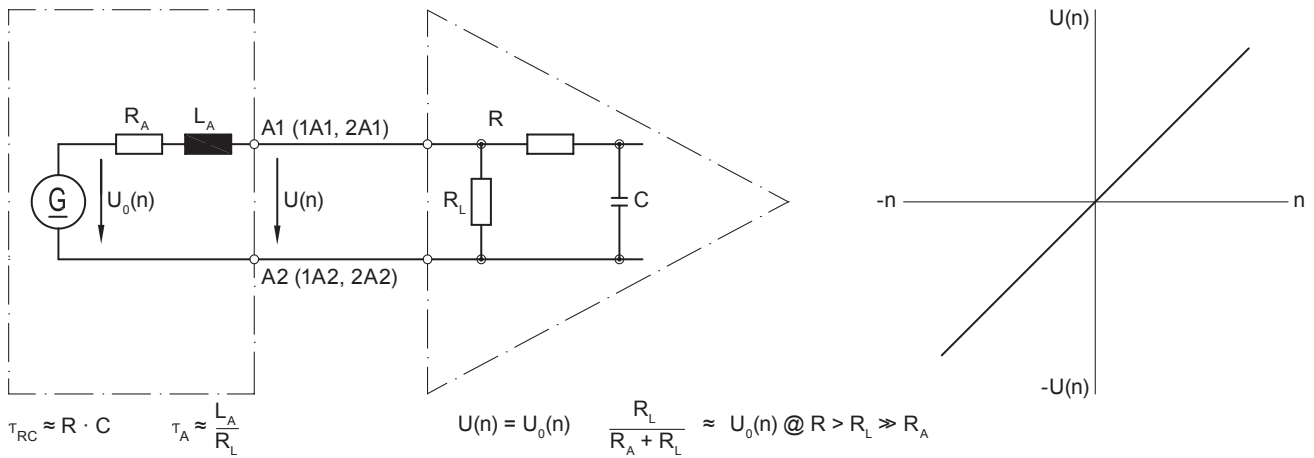
LongLife DC tachogenerator in industrial NEMA 12 housing with foot mount and solid shaft

Article number: 11055497

## Data according to type

Type	Minimum load required depending on speed range [rpm]			Armature resistance $R_A$ (68°F) [Ω]	Armature inductance $L_A$ [mH]
	0-3000	0-6000	0- $n_{max}$		
	$R_L$ [kΩ]	$R_L$ [kΩ]	$R_L$ [kΩ]		
FAPY 50	≥1.9	≥7.8	≥21.5	66	137
Superimposed ripple (for $\tau_{RC} = 0.7$ ms):		≤0.5% (peak-peak)	≤0.2% (rms)		

## Equivalent circuit diagram



## Accessories

### Mounting accessories

Spring disk coupling K 35 (shaft ø6...12 mm)