

FEAM 08P1002/S35L

Through beam sensors - subminiature

Article number: 10238056

Overview

- receiver
- through beam sensor
- 2,5 m
- PNP
- no
- connector M8, 3 pin
- -25 ... 65 °C
- IP 65



Picture similar



Technical data

General data

Type	Through beam sensor
Emitter / receiver	Receiver
Actual range Sb	2.5 m
Nominal range Sn	3 m
Alignment / soiled lens indicator	Flashing light indicator
Light indicator	LED red
Sensitivity adjustment	No

Electrical data

Response time / release time	< 2.5 ms
Voltage supply range +Vs	10 ... 30 VDC
Current consumption max. (no load)	24 mA
Current consumption typ.	24 mA
Voltage drop Vd	< 2 VDC

Electrical data

Output function	Light operate
Output circuit	PNP
Output current	< 100 mA
Short circuit protection	Yes
Reverse polarity protection	Yes

Mechanical data

Width / diameter	8 mm
Height / length	75.5 mm
Type	Cylindrical threaded
Housing material	Brass nickel plated
Front (optics)	PC
Connection types	Connector M8, 3 pin

Ambient conditions

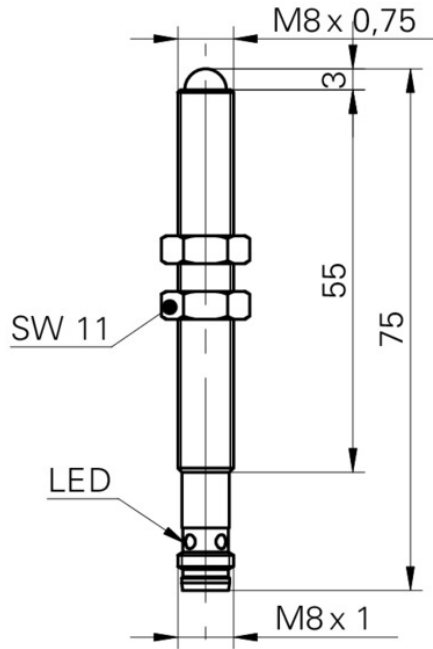
Operating temperature	-25 ... +65 °C
Protection class	IP 65

FEAM 08P1002/S35L

Through beam sensors - subminiature

Article number: 10238056

Technical drawings



Connection diagram

