

FEAM 08P1002

Through beam sensors - subminiature

Article number: 10219153

Overview

- receiver
- through beam sensor
- 2,5 m
- PNP
- no
- cable 3 pin, 2 m
- -25 ... 65 °C
- IP 65



Picture similar



Technical data

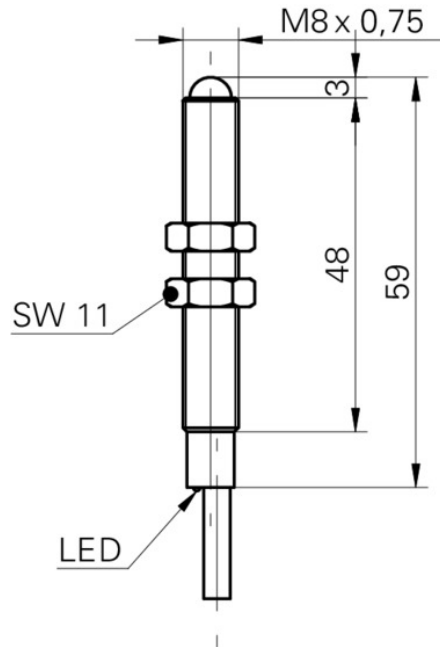
General data		Electrical data	
Type	Through beam sensor	Output function	Light operate
Emitter / receiver	Receiver	Output circuit	PNP
Actual range Sb	2.5 m	Output current	< 100 mA
Nominal range Sn	3 m	Short circuit protection	Yes
Alignment / soiled lens indicator	Flashing light indicator	Reverse polarity protection	Yes
Light indicator	LED red	Mechanical data	
Sensitivity adjustment	No	Width / diameter	8 mm
Electrical data		Height / length	59 mm
Response time / release time	< 2.5 ms	Type	Cylindrical threaded
Voltage supply range +Vs	10 ... 30 VDC	Housing material	Brass nickel plated
Current consumption max. (no load)	24 mA	Front (optics)	PC
Current consumption typ.	24 mA	Connection types	Cable 3 pin, 2 m
Voltage drop Vd	< 2 VDC	Ambient conditions	
		Operating temperature	-25 ... +65 °C
		Protection class	IP 65

FEAM 08P1002

Through beam sensors - subminiature

Article number: 10219153

Technical drawings



Connection diagram

