

Overview

- receiver
- through beam sensor
- 2 m
- NPN
- Teach-in
- flylead connector M8 4 pin, L=200 mm
- -20 ... 50 °C
- IP 65



Picture similar



Technical data

General data

Type	Through beam sensor
Emitter / receiver	Receiver
Actual range Sb	2 m
Nominal range Sn	2.5 m
Alignment / soiled lens indicator	Flashing light indicator
Light indicator	LED green
Output indicator	LED yellow
Sensitivity adjustment	Teach-in

Electrical data

Response time / release time	< 0.5 ms
Voltage supply range +Vs	10 ... 30 VDC
Current consumption max. (no load)	20 mA
Current consumption typ.	20 mA
Voltage drop Vd	< 1.8 VDC

Electrical data

Output function	Light / dark operate
Output circuit	NPN
Output current	< 100 mA
Short circuit protection	Yes
Reverse polarity protection	Yes

Mechanical data

Width / diameter	8 mm
Height / length	16.2 mm
Depth	10.8 mm
Type	Rectangular
Housing material	Plastic (PMMA, MABS, PA)
Front (optics)	PMMA
Connection types	Flylead connector M8 4 pin, L=200 mm

Ambient conditions

Operating temperature	-20 ... +50 °C
Protection class	IP 65

Remarks

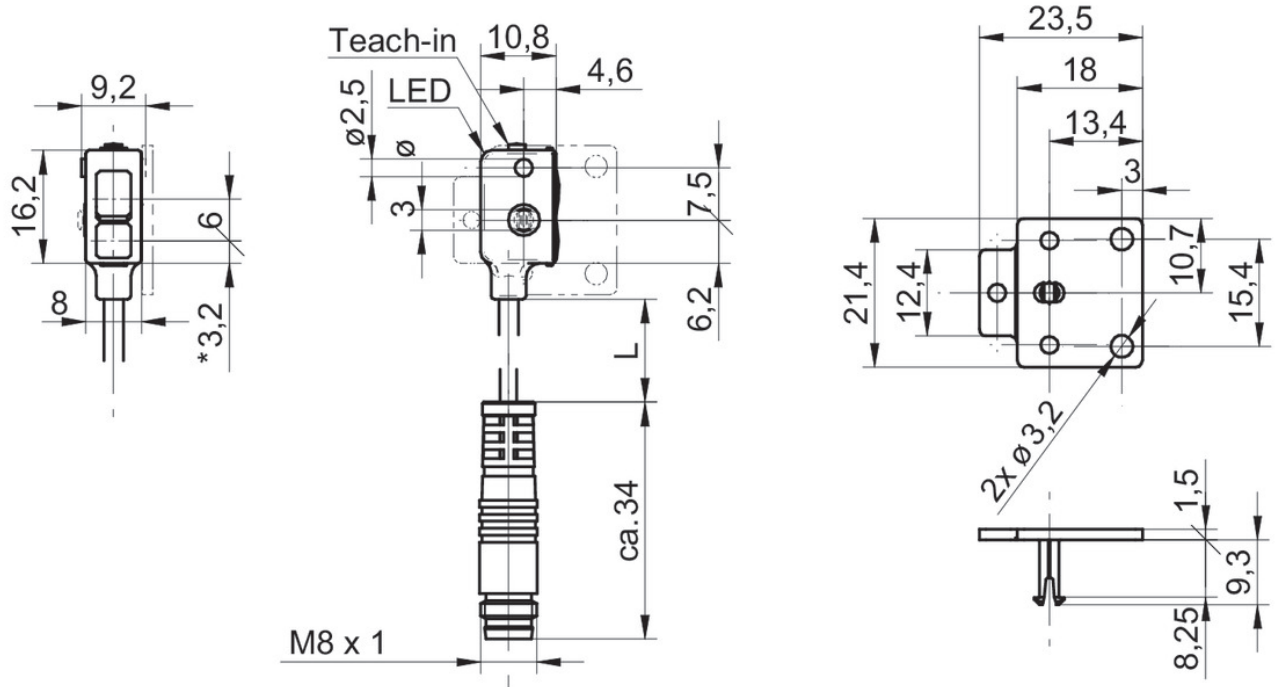
- Sensitivity adjustable: via Teach-in button or Teach-in wire input

FEDK 07N6901/KS35A

Through beam sensors - subminiature

Article number: 10152098

Technical drawings



Connection diagram

