

FEDK 10P3101/KS35

Through beam sensors - miniature

Article number: 10146079

Overview

- receiver
- through beam sensor
- 5 m
- PNP
- potentiometer, 270°
- flylead connector M8 3 pin
- -25 ... 65 °C
- IP 65



Picture similar



Technical data

General data

| | |
|-----------------------------------|--------------------------|
| Type | Through beam sensor |
| Emitter / receiver | Receiver |
| Actual range Sb | 5 m |
| Nominal range Sn | 6 m |
| Alignment / soiled lens indicator | Flashing light indicator |
| Light indicator | LED yellow |
| Sensitivity adjustment | Potentiometer, 270° |

Electrical data

| | |
|------------------------------------|---------------|
| Response time / release time | < 1.4 ms |
| Voltage supply range +Vs | 10 ... 30 VDC |
| Current consumption max. (no load) | 16 mA |
| Current consumption typ. | 16 mA |
| Voltage drop Vd | < 1.8 VDC |

Electrical data

| | |
|-----------------------------|--------------|
| Output function | Dark operate |
| Output circuit | PNP |
| Output current | < 100 mA |
| Short circuit protection | Yes |
| Reverse polarity protection | Yes |

Mechanical data

| | |
|------------------|----------------------------|
| Width / diameter | 10.4 mm |
| Height / length | 27 mm |
| Depth | 14 mm |
| Type | Rectangular |
| Housing material | Plastic (ASA) |
| Front (optics) | PMMA |
| Connection types | Flylead connector M8 3 pin |

Ambient conditions

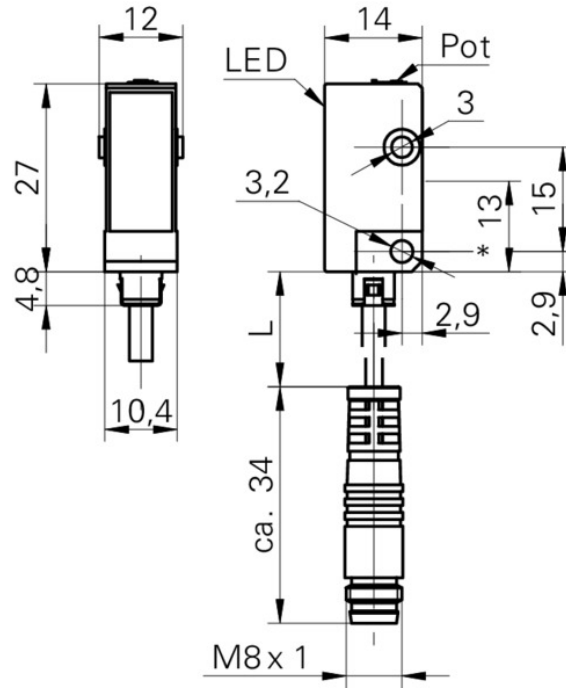
| | |
|-----------------------|----------------|
| Operating temperature | -25 ... +65 °C |
| Protection class | IP 65 |

FEDK 10P3101/KS35

Through beam sensors - miniature

Article number: 10146079

Technical drawings



Connection diagram

