

FEDK 10P5101

Through beam sensors - miniature

Article number: 10139963

Overview

- receiver
- through beam sensor
- 5 m
- PNP
- potentiometer, 270°
- cable 4 pin, 2 m
- -25 ... 65 °C
- IP 65



Picture similar



Technical data

General data

Type	Through beam sensor
Emitter / receiver	Receiver
Actual range Sb	5 m
Nominal range Sn	6 m
Alignment / soiled lens indicator	Flashing light indicator
Light indicator	LED yellow
Sensitivity adjustment	Potentiometer, 270°

Electrical data

Response time / release time	< 1.4 ms
Voltage supply range +Vs	10 ... 30 VDC
Current consumption max. (no load)	16 mA
Current consumption typ.	16 mA
Voltage drop Vd	< 1.8 VDC

Electrical data

Output function	Light / dark operate
Output circuit	PNP
Output current	< 100 mA
Short circuit protection	Yes
Reverse polarity protection	Yes

Mechanical data

Width / diameter	10.4 mm
Height / length	27 mm
Depth	14 mm
Type	Rectangular
Housing material	Plastic (ASA)
Front (optics)	PMMA
Connection types	Cable 4 pin, 2 m

Ambient conditions

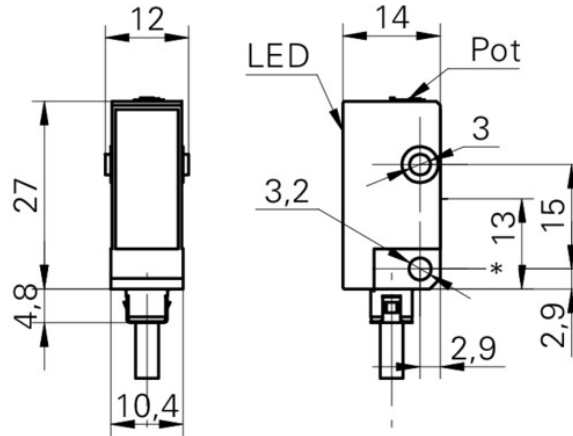
Operating temperature	-25 ... +65 °C
Protection class	IP 65

FEDK 10P5101

Through beam sensors - miniature

Article number: 10139963

Technical drawings



Connection diagram

