

FFPR-i100-W

Article number: 11086540

overview

- flashable LED dark field illumination
- white
- diffuse
- 24 V
- voltage-driven (equipped with integrated pre-resistor)
- cable length: 0,3 m
- diameter: 100 mm



technical data

general data

manufacturer Falcon Illumination MV GmbH & Co.KG

illumination data

color white
illumination characteristic diffuse
illumination mode flashable

electrical data

connectors M8/4-pin male connector
illumination control voltage-driven (equipped with integrated pre-resistor)
current 0,34 A
current at flash mode $\leq 0,85$ A
voltage at flash mode ≤ 48 V DC
duty cycle 0-10%

electrical data

maximum flash duration 10 ms

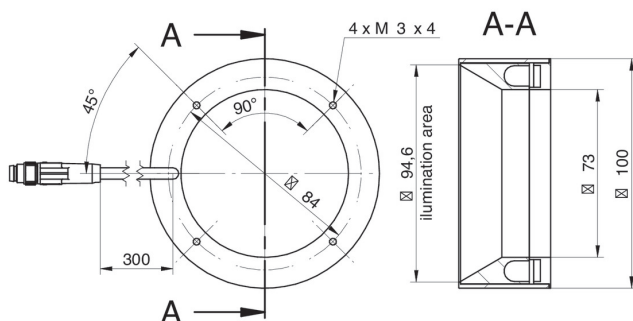
mechanical data

construction design dark field illumination
dimensions \varnothing 100 mm
dimensions luminous area \varnothing external 94,6 mm \varnothing internal 73 mm
material of cover glass acrylic
cable length [m] 0,3 m
weight ≤ 190 g
material aluminum

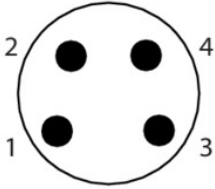
environmental conditions

operating temperature 0 ... +35 °C
humidity 20% - 85%
protection class IP 50

dimension drawing



pin assignment



M8	signal
1:	LED +24V (pulsing 24-48 V)
2:	N.C.
3:	LED - (GND)
4:	N.C.