

FHDK 07P6901/KS35A

Diffuse sensors with background suppression - subminiature

Article number: 10149512

Overview

- background suppression
- 10 ... 60 mm
- pulsed red LED
- PNP
- Teach-in
- flylead connector M8 4 pin, L=200 mm
- -20 ... 50 °C
- IP 65



Picture similar



Technical data

General data

Type	Background suppression
Light source	Pulsed red LED
Sensing distance Tw	10 ... 60 mm
Sensing range Tb (at Tw max.)	2 ... 60 mm
Sensing range Tb (at Tw min.)	5 ... 10 mm
Alignment / soiled lens indicator	Flashing light indicator
Light indicator	LED green
Output indicator	LED yellow
Sensing distance adjustment	Teach-in
Wave length	660 nm
Suppression of reciprocal influence	Yes

Electrical data

Response time / release time	< 0.5 ms
Voltage supply range +Vs	10 ... 30 VDC

Electrical data

Current consumption max. (no load)	25 mA
Current consumption typ.	20 mA
Voltage drop Vd	< 1.8 VDC
Output function	Light / dark operate
Output circuit	PNP
Output current	< 100 mA
Short circuit protection	Yes
Reverse polarity protection	Yes

Mechanical data

Width / diameter	8 mm
Height / length	16.2 mm
Depth	10.8 mm
Type	Rectangular
Housing material	Plastic (PMMA, MABS, PA)
Front (optics)	PMMA
Connection types	Flylead connector M8 4 pin, L=200 mm

Ambient conditions

Protection class	IP 65
Operating temperature	-20 ... +50 °C

Remarks

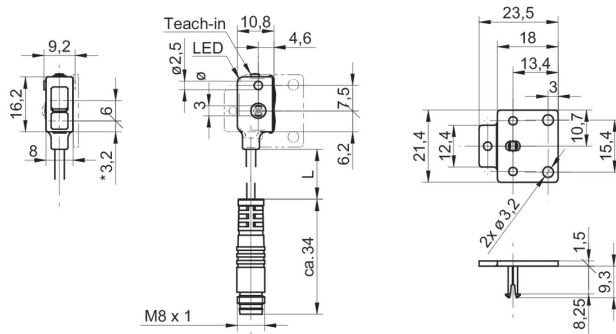
- Sensitivity adjustable: via Teach-in button or Teach-in wire input

FHDK 07P6901/KS35A

Diffuse sensors with background suppression - subminiature

Article number: 10149512

Dimension drawing



- * emitter axis

Connection diagram

