

FHDR 14G6901/S14/IO

Diffuse sensors with background suppression - washdown

Article number: 11096606

Overview

- background suppression
- 50 ... 400 mm
- pulsed red LED
- push-pull
- IO-Link
- Teach-in
- connector M12
- -30 ... 60 °C
- IP 68/69K & proTect+



Picture similar



Technical data

General data

Type	Background suppression
Special type	Washdown design
Light source	Pulsed red LED
Sensing distance Tw	50 ... 400 mm
Sensing range Tb (at Tw max.)	20 ... 400 mm
Sensing range Tb (at Tw min.)	20 ... 50 mm
Power on indication	LED green
Output indicator	LED red
Sensitivity adjustment	IO-Link
Sensing distance adjustment	Teach-in
Wave length	660 nm
Approvals/certificates	Ecolab

Electrical data

Response time / release time	< 1,8 ms
Voltage supply range +Vs	10 ... 30 VDC
Current consumption max. (no load)	40 mA

Electrical data

Current consumption typ.	35 mA
Voltage drop Vd	< 2 VDC
Output function	Light / dark operate
Output circuit	Push-pull
Output current	< 100 mA
Short circuit protection	Yes
Reverse polarity protection	Yes

Mechanical data

Width / diameter	19,6 mm
Height / length	51 mm
Depth	34,3 mm
Type	Rectangular
Housing material	Stainless steel 1.4404 (V4A)
Front (optics)	PMMA
Connection types	Connector M12

Ambient conditions

Protection class	IP 68/69K & proTect+
Operating temperature	-30 ... +60 °C
Storage temperature	-30 ... +70 °C

FHDR 14G6901/S14/IO

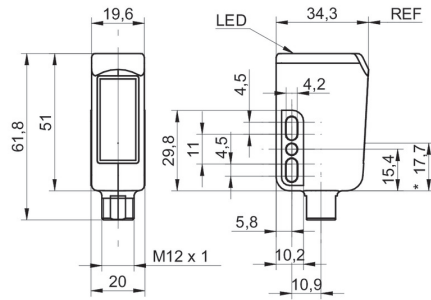
Diffuse sensors with background suppression - washdown

Article number: 11096606

Remarks

- Sensor FDA compliant and Ecolab approved
- IO-Link: output signal, service status, object presence
- Sensitivity adjustable: via Teach-in wire input

Dimension drawing



- * emitter axis

Connection diagram

