

**Overview**

- 25 mm
- LED red / green / blue
- PNP
- -10 ... 55 °C
- IP 67



Picture similar



**Technical data**

**General data**

Sensing distance Tw	25 mm
Sensor channels	4 (teachable)
Tolerance ranges	5-step teachable (LEDs)
Size of measuring spot	0,7 mm x 1,3 mm
Light source	LED red / green / blue
Signal display (Teach)	LED orange
Channel status display	LED yellow per channel
Power on indication	LED green

**Electrical data**

Response time / release time	< 0.34 ms
Voltage supply range +Vs	10 ... 30 VDC
Power consumption	< 2 W
Output circuit	PNP
Output function	Light operate
Voltage drop Vd	< 1.8 VDC

**Electrical data**

Output current (per channel)	< 100 mA
Remote Teach-In input	Protocol with return signal through channel 1-output
Sync. input	Low active
Level (sync., teach)	high: 2/3 Vs...Vs low: 0 V...1/3 Vs
Short circuit protection	Yes
Reverse polarity protection	Yes

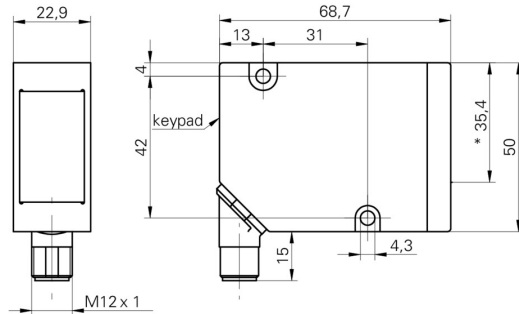
**Mechanical data**

Width / diameter	22.9 mm
Type	Rectangular
Housing material	Aluminum anodized
Front (optics)	Glass
Device plug	Connector M12, 8 pin, rotatable

**Ambient conditions**

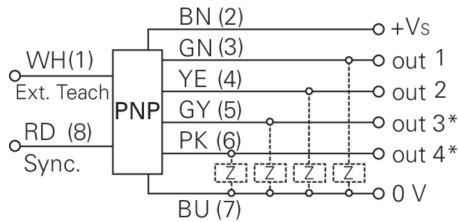
Operating temperature	-10 ... +55 °C
Protection class	IP 67

**Dimension drawing**



- \* emitter axis

**Connection diagram**



\* only in the 4-channel version