

Overview

- 30 ... 100 mm
- pulsed red laser diode
- opto isolated
- 10 ... 40 °C



Technical data

General data

| | |
|----------------------------|-------------------------------------|
| Measuring distance Sd | 30 ... 100 mm |
| Optimum operating distance | 100 mm |
| Counting rate | < 600000 Copies/h |
| Object speed | < 2 m/sec |
| Sensitivity | Single sheet/edge thickness 0,25 mm |
| Sync. input | No |
| Light source | Pulsed red laser diode |
| Wave length | 650 nm |
| Laser class | 2 |
| Edge indicator | LED orange |
| Power on indication | LED green |

Electrical data

| | |
|------------------------------------|----------------------|
| Voltage supply range +Vs | 19 ... 30 VDC |
| Current consumption max. (no load) | 200 mA |
| Output circuit | Opto isolated |
| Output pulse length | 5 / 20 ms selectable |

Mechanical data

| | |
|------------------|---------------------------------------|
| Width / diameter | 31 mm |
| Type | Rectangular |
| Housing material | Aluminum / steel galvanized |
| Connector base | Amphenol-Tuchel C91A T 3476 001,7 pin |
| Front (optics) | Glass |

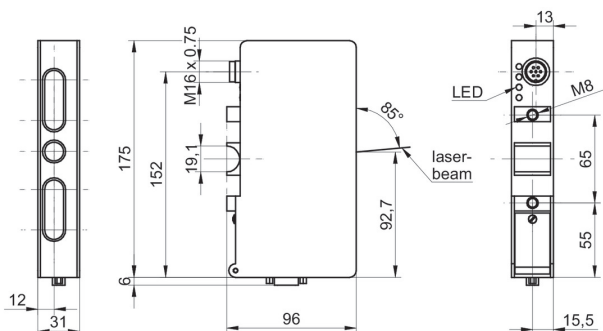
Ambient conditions

| | |
|-----------------------|---------------|
| Operating temperature | 10 ... +40 °C |
|-----------------------|---------------|

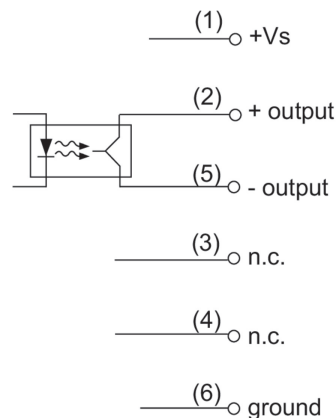
Remarks

- Für Neuprojekte empfehlen wir Scatec-2, FLDK 110C1005/S42

Dimension drawing



Connection diagram



Laser warning



LASER RADIATION
DO NOT STARE INTO BEAM
Wavelength: 640...670nm
IEC 60825-1, Ed. 3, 2014
CLASS 2 LASER PRODUCT

IEC 60825-1/2014 Complies with 21 CFR 1040.10 and 1040.11 except for conformance with IEC 60825-1 Ed. 3., as described in Laser Notice No. 56, dated May 8, 2019