

FLDR-i90B-W

Article number: 11085869

overview

- flashable LED ring light
- white
- 24 V
- voltage-driven (equipped with integrated pre-resistor)
- cable length: 0,3 m
- diameter: 94 mm



technical data

general data

manufacturer Falcon Illumination MV GmbH & Co.KG

illumination data

color white
illumination characteristic direct
illumination mode flashable

electrical data

connectors M8/4-pin male connector
illumination control voltage-driven (equipped with integrated pre-resistor)
current 0,56 A
current at flash mode $\leq 1,4$ A
voltage at flash mode ≤ 48 V DC
duty cycle 0-10%

electrical data

maximum flash duration 10 ms

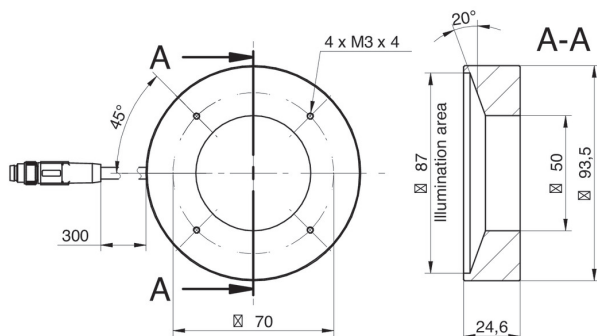
mechanical data

construction design ring light
dimensions $\varnothing 93,5$ mm
height 24,6 mm
dimensions luminous area \varnothing external 87,5 mm \varnothing internal 50 mm
cable length [m] 0,3 m
weight ≤ 200 g
material aluminum

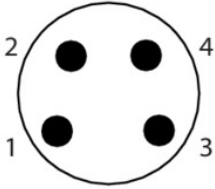
environmental conditions

operating temperature 0 ... +35 °C
humidity 20% - 85%
protection class IP 30

dimension drawing



pin assignment



M8	signal
1:	LED +24V (pulsing 24-48 V)
2:	N.C.
3:	LED - (GND)
4:	N.C.