

Overview

- light barrier
- 200 ... 800 mm on V4A
- pulsed point source LED
- push-pull
- Teach-in and IO-Link
- flylead connector M12, L=300 mm
- -30 ... 60 °C
- IP 68/69K & proTect+



Picture similar



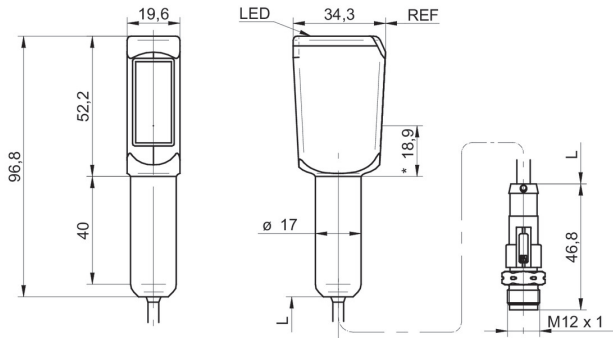
Technical data

General data		Electrical data	
Type	Light barrier	Current consumption typ.	35 mA
Special type	Hygienic design	Voltage drop Vd	< 2 VDC
Version	Foil detection	Output function	Light / dark operate
Light source	Pulsed point source LED	Output circuit	Push-pull
Background position Sde	200 ... 800 mm on V4A	Output current	< 100 mA
Minimal signal attenuation	12 %	Short circuit protection	Yes
Alignment / soiled lens indicator	Flashing light indicator	Reverse polarity protection	Yes
Power on indication	LED green	Mechanical data	
Output indicator	LED red	Width / diameter	19,6 mm
Sensing distance adjustment	Teach-in and IO-Link	Height / length	52,2 mm
Wave length	660 nm	Depth	34,3 mm
Approvals/certificates	Ecolab Adapted from EHEDG	Type	Rectangular
Electrical data		Housing material	Stainless steel 1.4404 (V4A)
Response time / release time	< 1,8 ms	Front (optics)	PMMA
Voltage supply range +Vs	10 ... 30 VDC	Connection types	Flylead connector M12, L=300 mm
Current consumption max. (no load)	40 mA	Ambient conditions	
		Protection class	IP 68/69K & proTect+
		Operating temperature	-30 ... +60 °C
		Storage temperature	-30 ... +70 °C

Remarks

- Sensor FDA compliant, EHEDG certified and Ecolab approved
- IO-Link: output signal, service status, object presence
- Sensitivity adjustable: via Teach-in wire input

Dimension drawing



- * emitter axis

Connection diagram

