

## FNDR 14G6902/S14

SmartReflect Light barriers - transparent detection

Article number: 11096641

### Overview

- light barrier
- 200 ... 800 mm on V4A
- pulsed point source LED
- push-pull
- Teach-in
- connector M12
- -30 ... 60 °C
- IP 68/69K & proTect+



Picture similar



### Technical data

#### General data

|                                   |                           |
|-----------------------------------|---------------------------|
| Type                              | Light barrier             |
| Special type                      | Washdown design           |
| Version                           | Tray and bottle detection |
| Light source                      | Pulsed point source LED   |
| Background position Sde           | 200 ... 800 mm on V4A     |
| Minimal signal attenuation        | 30 %                      |
| Alignment / soiled lens indicator | Flashing light indicator  |
| Power on indication               | LED green                 |
| Output indicator                  | LED red                   |
| Sensing distance adjustment       | Teach-in                  |
| Wave length                       | 660 nm                    |
| Approvals/certificates            | Ecolab                    |

#### Electrical data

|                                    |               |
|------------------------------------|---------------|
| Response time / release time       | < 1,8 ms      |
| Voltage supply range +Vs           | 10 ... 30 VDC |
| Current consumption max. (no load) | 40 mA         |

#### Electrical data

|                             |                      |
|-----------------------------|----------------------|
| Current consumption typ.    | 35 mA                |
| Voltage drop Vd             | < 2 VDC              |
| Output function             | Light / dark operate |
| Output circuit              | Push-pull            |
| Output current              | < 100 mA             |
| Short circuit protection    | Yes                  |
| Reverse polarity protection | Yes, Vs to GND       |

#### Mechanical data

|                  |                              |
|------------------|------------------------------|
| Width / diameter | 19,6 mm                      |
| Height / length  | 51 mm                        |
| Depth            | 34,3 mm                      |
| Type             | Rectangular                  |
| Housing material | Stainless steel 1.4404 (V4A) |
| Front (optics)   | PMMA                         |
| Connection types | Connector M12                |

#### Ambient conditions

|                       |                      |
|-----------------------|----------------------|
| Protection class      | IP 68/69K & proTect+ |
| Operating temperature | -30 ... +60 °C       |
| Storage temperature   | -30 ... +70 °C       |

### Remarks

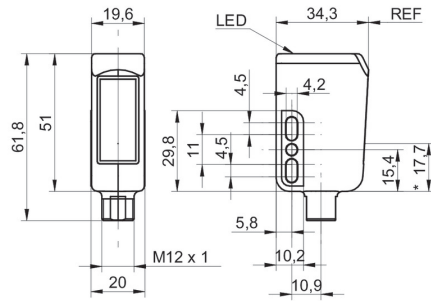
- Sensor FDA compliant and Ecolab approved
- Sensitivity adjustable: via Teach-in wire input

# FNDR 14G6902/S14

SmartReflect Light barriers - transparent detection

Article number: 11096641

## Dimension drawing



- \* emitter axis

## Connection diagram

