

## FPDK 10N5130

Retro-reflective sensors - miniature

Article number: 11000892

### Overview

- retro-reflective sensor
- 3,5 m
- pulsed red LED
- NPN
- no
- cable 4 pin, 2 m
- -25 ... 65 °C
- IP 65



Picture similar



### Technical data

#### General data

Type	Retro-reflective sensor
Light source	Pulsed red LED
Actual range Sb	3.5 m
Nominal range Sn	4 m
Polarization filter	Yes
Alignment / soiled lens indicator	Flashing light indicator
Light indicator	LED yellow
Sensitivity adjustment	No
Wave length	660 nm
Suppression of reciprocal influence	Yes

#### Electrical data

Response time / release time	< 0.5 ms
Voltage supply range +Vs	10 ... 30 VDC
Current consumption max. (no load)	25 mA

#### Electrical data

Current consumption typ.	20 mA
Voltage drop Vd	< 1.8 VDC
Output function	Light / dark operate
Output circuit	NPN
Output current	< 100 mA
Short circuit protection	Yes
Reverse polarity protection	Yes

#### Mechanical data

Width / diameter	10.4 mm
Height / length	27 mm
Depth	16.3 mm
Type	Rectangular
Housing material	Plastic (ASA)
Front (optics)	PMMA
Connection types	Cable 4 pin, 2 m

#### Ambient conditions

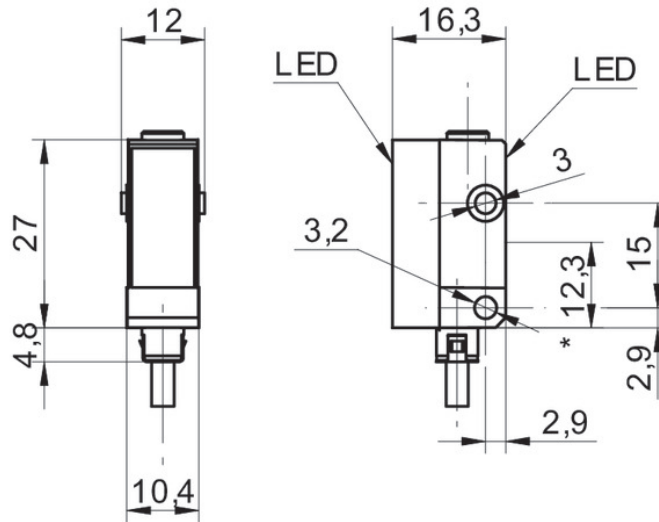
Operating temperature	-25 ... +65 °C
Protection class	IP 65

# FPDK 10N5130

Retro-reflective sensors - miniature

Article number: 11000892

## Technical drawings



## Connection diagram

