

**Overview**

- retro-reflective sensor
- 7 m
- pulsed red LED
- PNP
- no
- connector M8 4 pin
- -25 ... 65 °C
- IP 67



Picture similar



**Technical data**

**General data**

|                                     |                          |
|-------------------------------------|--------------------------|
| Type                                | Retro-reflective sensor  |
| Light source                        | Pulsed red LED           |
| Actual range Sb                     | 7 m                      |
| Nominal range Sn                    | 7.2 m                    |
| Polarization filter                 | Yes                      |
| Alignment / soiled lens indicator   | Flashing light indicator |
| Light indicator                     | LED yellow               |
| Sensitivity adjustment              | No                       |
| Wave length                         | 660 nm                   |
| Suppression of reciprocal influence | Yes                      |

**Electrical data**

|                                    |               |
|------------------------------------|---------------|
| Response time / release time       | < 1 ms        |
| Voltage supply range +Vs           | 10 ... 30 VDC |
| Current consumption max. (no load) | 25 mA         |

**Electrical data**

|                             |                      |
|-----------------------------|----------------------|
| Current consumption typ.    | 20 mA                |
| Voltage drop Vd             | < 1.8 VDC            |
| Output function             | Light / dark operate |
| Output circuit              | PNP                  |
| Output current              | < 100 mA             |
| Short circuit protection    | Yes                  |
| Reverse polarity protection | Yes                  |

**Mechanical data**

|                  |                     |
|------------------|---------------------|
| Width / diameter | 14.8 mm             |
| Height / length  | 43 mm               |
| Depth            | 31 mm               |
| Type             | Rectangular         |
| Housing material | Plastic (ASA, MABS) |
| Front (optics)   | PMMA                |
| Connection types | Connector M8 4 pin  |

**Ambient conditions**

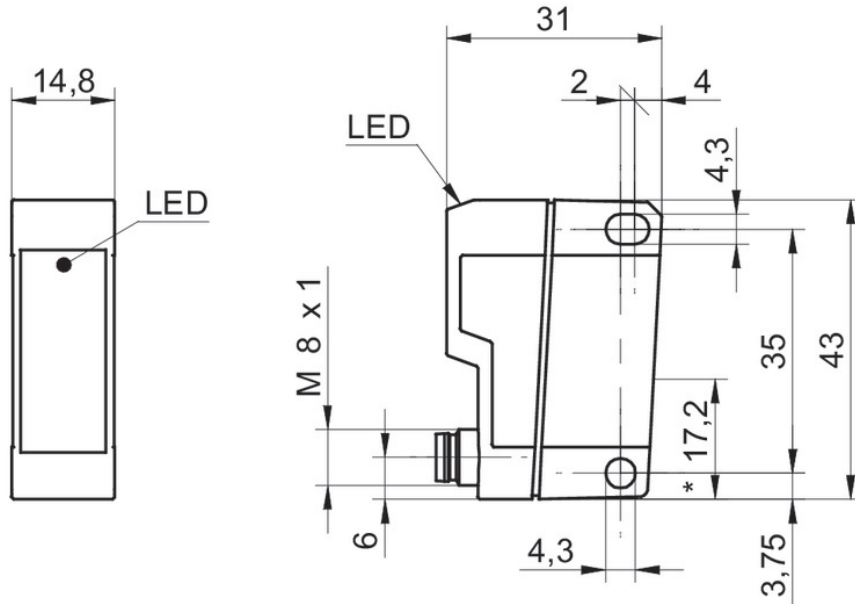
|                       |                |
|-----------------------|----------------|
| Operating temperature | -25 ... +65 °C |
| Protection class      | IP 67          |

# FPDK 14P5101/S35A

Retro-reflective sensors - standard

Article number: 11001138

## Technical drawings



## Connection diagram

