

FPE 200C4Y00

Plastic fiber optic cable

Article number: 10135352

Overview

- Through-beam type
- Actual range up to 3400 mm
- Cylindrical smooth sensing head $\varnothing 4$ mm, side view, with almost parallel beam
- Plastic fiber 200 cm long
- Operating temperature up to +70 °C
- For compact fiber optic sensors FVDK 10 and OF10



Picture similar

Technical data

General data

Operating principle	Through-beam type
Actual range Sb	3400 mm
Fiber optic head	Cylindrical smooth, side view
Operating temperature	-30 ... +70 °C
Exit angle	6°
Fiber optics can be shortened to length	Yes
Integrated lens	No
Adaptable lens	No
Infrared light compatibility (1450 nm)	No
Smallest object recognizable	0.1 mm

Mechanical data

Diameter Fiber	0.75 mm
Width / diameter (head)	4 mm
Height / length (head)	30 mm
Material (head)	Stainless steel
Bending radius (fixed)	20 mm
Cable jacket diameter	2.2 mm
Material cable jacket	PE
Material (fiber optic cable)	Plastic
Length (fiber optic cable)	200 cm

Remarks

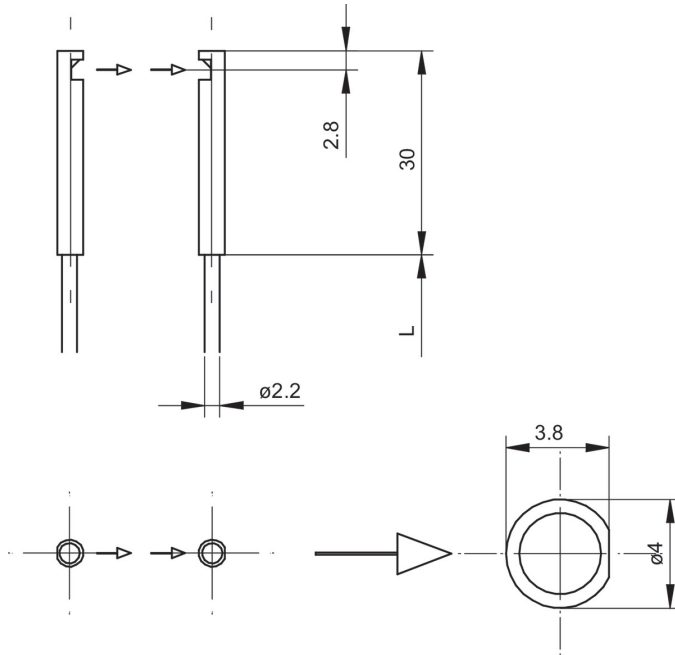
- The small beam angle makes a precise, virtually parallel light beam.

FPE 200C4Y00

Plastic fiber optic cable

Article number: 10135352

Dimension drawing



Actual range diagram

	Mode	Actual Range Sb [mm]
OF10	Ultra-High-Speed	3400
	High-Speed	3400
	Standard	3400
	High-Resolution	3400
	Long-Range	3400
	Ultra-Long-Range	3400
FVDK 10x6	Fast	3106
	Semi Fast	3400
	Normal	3400
FVDK 10x5	Potentiometer	976

Accessories

Fitting fiber optic sensors

11252204	OF10.FR-GW2J.B2NV/A014
11244386	OF10.FR-GW2J.B2CV/A014
11224111	OF10.FR-PW1B.B2N
11224008	OF10.FR-NW1B.B2CV
11224009	OF10.FR-NW1B.B2N
11224110	OF10.FR-PW1B.B2CV
11244384	OF10.FR-GW2J.B2N/A014
10162867	FVDK 10N5101
10162865	FVDK 10N5101/S35A
10162866	FVDK 10P5101
10162864	FVDK 10P5101/S35A
11045446	FVDK 10N66Y0
11045448	FVDK 10N66Y0/S35A

11045460	FVDK 10N66YR
11045445	FVDK 10P66Y0
11045447	FVDK 10P66Y0/S35A
11045449	FVDK 10P66YR
11214490	FVDK 10P66ZR
11214493	FVDK 10P66Z0/S35A
11214478	FVDK 10P66Z0
11214492	FVDK 10N66ZR
11214494	FVDK 10N66Z0/S35A
11214479	FVDK 10N66Z0
11045462	FVDK 10N66YM
11045464	FVDK 10N66YS
11045461	FVDK 10P66YM
11045463	FVDK 10P66YS

Mounting accessories

10114652	Cutting tool for plastic fiber optics
10119911	Mounting bracket Ø 2,2 mm
10156738	Fiber optic cable extension 2 m
10158142	Fiber optic cable extension 5 m
10145523	Fiber optic cable extension 5 m highly flexible