

FRDK 14N6901

Retro-reflective sensors - for longer ranges

Article number: 11011379

Overview

- retro-reflective sensor
- 7 m
- pulsed red LED
- NPN
- Teach-in
- cable 4 pin, 2 m
- -25 ... 65 °C
- IP 67



Picture similar



Technical data

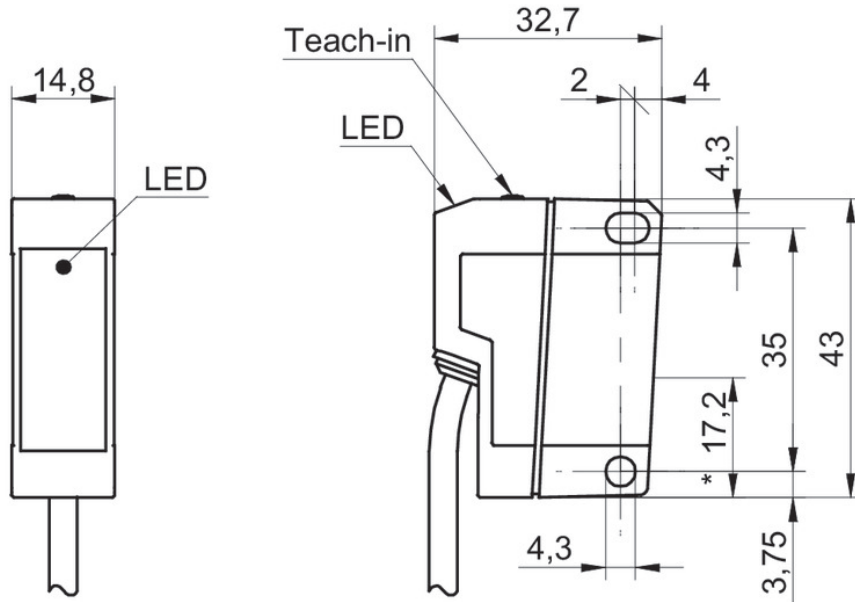
General data		Electrical data	
Type	Retro-reflective sensor	Voltage drop Vd	< 2.2 VDC
Version	Transparency object detection	Output function	Light / dark operate switchable
Light source	Pulsed red LED	Output circuit	NPN
Actual range Sb	7 m	Output current	< 100 mA
Nominal range Sn	8 m	Short circuit protection	Yes
Polarization filter	No	Reverse polarity protection	Yes
Light indicator	LED yellow	Mechanical data	
Sensitivity adjustment	Teach-in	Width / diameter	14.8 mm
Wave length	660 nm	Height / length	43 mm
Electrical data		Depth	31 mm
Response time / release time	< 0.1 ms	Type	Rectangular
Teach-in signal time	> 500 µs	Housing material	Plastic (ASA, MABS)
Adaption time	< 20 ms	Front (optics)	PMMA
Voltage supply range +Vs	10 ... 30 VDC	Connection types	Cable 4 pin, 2 m
Current consumption max. (no load)	40 mA	Ambient conditions	
Current consumption typ.	35 mA	Operating temperature	-25 ... +65 °C
		Protection class	IP 67

FRDK 14N6901

Retro-reflective sensors - for longer ranges

Article number: 11011379

Technical drawings



Connection diagram

