

FRDK 14P6901

Retro-reflective sensors - for longer ranges

Article number: 11006566

Overview

- retro-reflective sensor
- 7 m
- pulsed red LED
- PNP
- Teach-in
- cable 4 pin, 2 m
- -25 ... 65 °C
- IP 67



Picture similar



Technical data

General data

Type	Retro-reflective sensor
Version	Transparency object detection
Light source	Pulsed red LED
Actual range Sb	7 m
Nominal range Sn	8 m
Polarization filter	No
Light indicator	LED yellow
Sensitivity adjustment	Teach-in
Wave length	660 nm

Electrical data

Response time / release time	< 0.1 ms
Teach-in signal time	> 500 µs
Adaption time	< 20 ms
Voltage supply range +Vs	10 ... 30 VDC
Current consumption max. (no load)	40 mA
Current consumption typ.	35 mA

Electrical data

Voltage drop Vd	< 2.2 VDC
Output function	Light / dark operate switchable
Output circuit	PNP
Output current	< 100 mA
Short circuit protection	Yes
Reverse polarity protection	Yes

Mechanical data

Width / diameter	14.8 mm
Height / length	43 mm
Depth	31 mm
Type	Rectangular
Housing material	Plastic (ASA, MABS)
Front (optics)	PMMA
Connection types	Cable 4 pin, 2 m

Ambient conditions

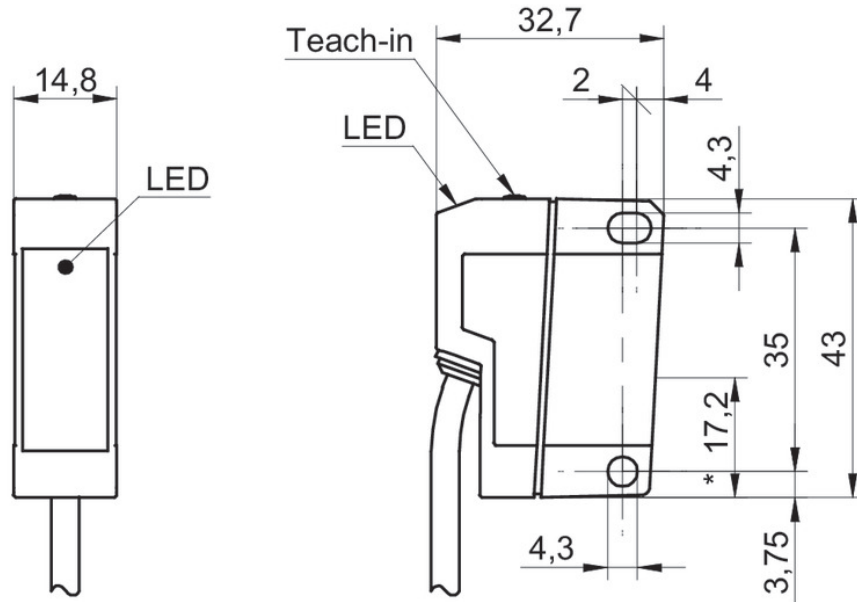
Operating temperature	-25 ... +65 °C
Protection class	IP 67

FRDK 14P6901

Retro-reflective sensors - for longer ranges

Article number: 11006566

Technical drawings



Connection diagram

