

## FSAM 08D9002/S35

Through beam sensors - subminiature

Article number: 10238037

### Overview

- emitter
- through beam sensor
- 2,5 m
- pulsed infrared diode
- connector M8, 3 pin
- -25 ... 65 °C
- IP 65



Picture similar



### Technical data

#### General data

Type	Through beam sensor
Emitter / receiver	Emitter
Light source	Pulsed infrared diode
Actual range Sb	2.5 m
Nominal range Sn	3 m
Wave length	880 nm

#### Electrical data

Voltage supply range +Vs	10 ... 30 VDC
Current consumption max. (no load)	48 mA
Current consumption typ.	17 mA

#### Electrical data

Reverse polarity protection	Yes
-----------------------------	-----

#### Mechanical data

Width / diameter	8 mm
Height / length	75.5 mm
Type	Cylindrical threaded
Housing material	Brass nickel plated
Front (optics)	PC
Connection types	Connector M8, 3 pin

#### Ambient conditions

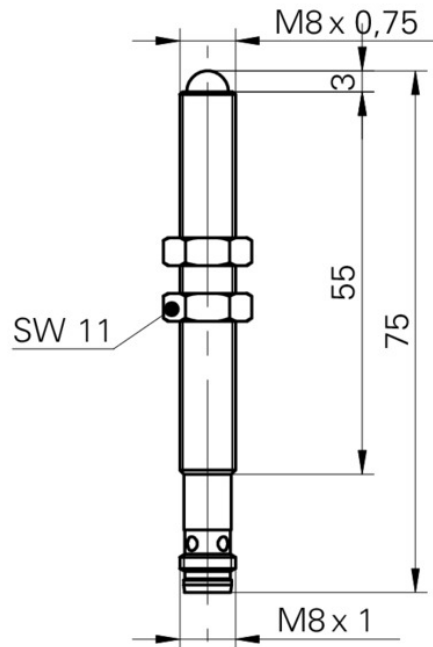
Operating temperature	-25 ... +65 °C
Protection class	IP 65

# FSAM 08D9002/S35

Through beam sensors - subminiature

Article number: 10238037

## Technical drawings



## Connection diagram

