

# FSAM 08D9002

Through beam sensors - subminiature

Article number: 10218475

## Overview

- emitter
- through beam sensor
- 2,5 m
- pulsed infrared diode
- cable 3 pin, 2 m
- -25 ... 65 °C
- IP 65



Picture similar



## Technical data

### General data

Type	Through beam sensor
Emitter / receiver	Emitter
Light source	Pulsed infrared diode
Actual range Sb	2.5 m
Nominal range Sn	3 m
Wave length	880 nm

### Electrical data

Voltage supply range +Vs	10 ... 30 VDC
Current consumption max. (no load)	48 mA
Current consumption typ.	17 mA

### Electrical data

Reverse polarity protection	Yes
-----------------------------	-----

### Mechanical data

Width / diameter	8 mm
Height / length	59 mm
Type	Cylindrical threaded
Housing material	Brass nickel plated
Front (optics)	PC
Connection types	Cable 3 pin, 2 m

### Ambient conditions

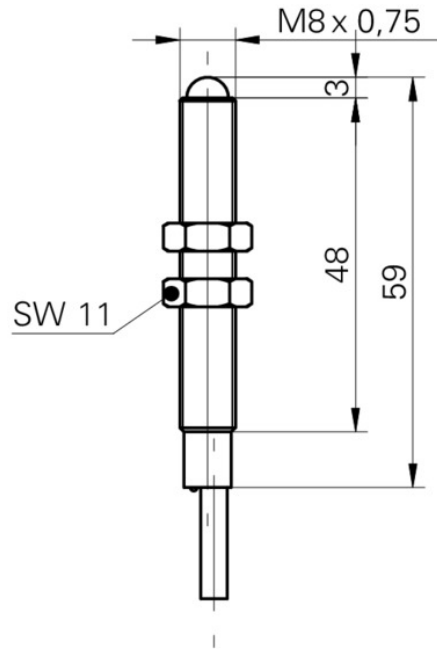
Operating temperature	-25 ... +65 °C
Protection class	IP 65

# FSAM 08D9002

Through beam sensors - subminiature

Article number: 10218475

## Technical drawings



## Connection diagram

