

**Overview**

- Through-beam type
- Actual range up to 320 mm
- Cylindrical smooth sensing head  $\varnothing 4$  mm, side view
- Plastic jacket 50 cm long
- Operating temperature up to +70 °C
- For rugged fiber optic sensors FVDM 15



Picture similar

**Technical data**

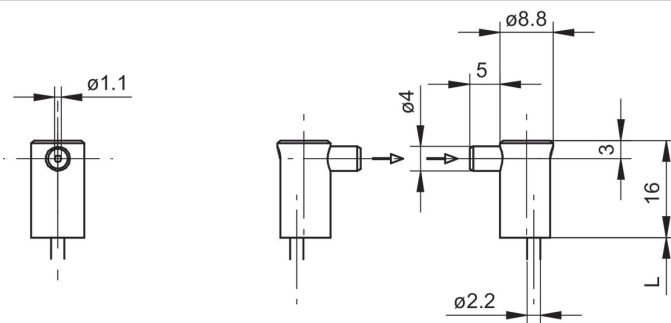
**General data**

|   |                                  |
|---|----------------------------------|
| Particular characteristics              | Smooth sensing head<br>Side view |
| Operating principle                     | Through-beam type                |
| Actual range Sb                         | 3200 mm                          |
| Fiber optic head                        | Cylindrical smooth, side view    |
| Operating temperature                   | -25 ... +70 °C                   |
| Exit angle                              | 60°                              |
| Fiber optics can be shortened to length | No                               |
| Integrated lens                         | No                               |
| Adaptable lens                          | No                               |
| Infrared light compatibility (1450 nm)  | Yes                              |

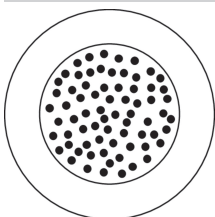
**Mechanical data**

|                              |                   |
|------------------------------|-------------------|
| Width / diameter (head)      | 4 mm              |
| Height / length (head)       | 16 mm             |
| Material (head)              | Aluminum          |
| Bending radius (fixed)       | 7.5 mm            |
| Bending radius (mobile)      | 15 mm             |
| Cable jacket diameter        | 2.5 mm            |
| Material cable jacket        | PVC               |
| Fiber cross section          | 1 mm <sup>2</sup> |
| Material (fiber optic cable) | Glass             |
| Length (fiber optic cable)   | 50 cm             |

**Dimension drawing**



**Fiber arrangement**



**Accessories**

**Fitting fiber optic sensors**

|          |                  |
|----------|------------------|
| 10234639 | FVDM 15N5103     |
| 10122368 | FVDM 15N5103/S14 |
| 10234520 | FVDM 15P5103     |
| 10239451 | FVDM 15P5103/S14 |
| 10234519 | FVDM 15P5130     |
| 10124952 | FVDM 15P5130/S14 |

## Accessories

### Fitting fiber optic sensors

### Mounting accessories

|          |  |
|----------|--|
| 10103230 | Replacement cap nut for fiber optics series 15 |
|----------|--|