

**Overview**

- Through-beam type
- Actual range up to 160 mm
- Cylindrical smooth sensing head  $\varnothing 5$  mm, side view
- Metal jacket 25 cm long
- Operating temperature up to +120 °C
- For rugged fiber optic sensors FVDM 15

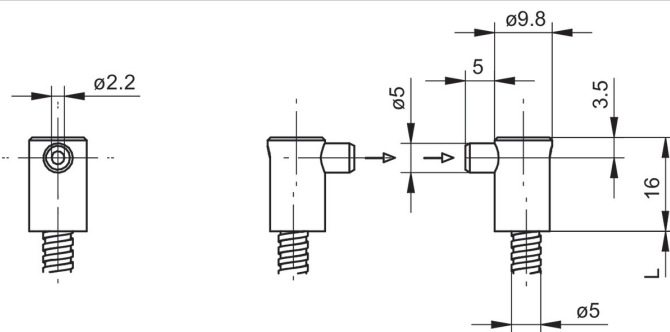


Picture similar

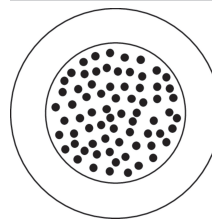
**Technical data**

General data		Mechanical data	
Operating principle	Through-beam type	Width / diameter (head)	9.8 mm
Actual range Sb	160 mm	Height / length (head)	16 mm
Fiber optic head	Cylindrical smooth, side view	Material (head)	Aluminum
Operating temperature	-25 ... +120 °C	Bending radius (fixed)	15 mm
Exit angle	60°	Bending radius (mobile)	30 mm
Fiber optics can be shortened to length	No	Cable jacket diameter	5 mm
Integrated lens	No	Material cable jacket	Brass chromium plated
Adaptable lens	No	Fiber cross section	4 mm <sup>2</sup>
Infrared light compatibility (1450 nm)	Yes	Material (fiber optic cable)	Glass
Smallest object recognizable	0.1 mm	Length (fiber optic cable)	25 cm

**Dimension drawing**



**Fiber arrangement**



**Accessories**

Fitting fiber optic sensors	
10234639	FVDM 15N5103
10122368	FVDM 15N5103/S14
10234520	FVDM 15P5103
10239451	FVDM 15P5103/S14
10234519	FVDM 15P5130
10124952	FVDM 15P5130/S14

**Mounting accessories**

10103230	Replacement cap nut for fiber optics series 15
----------	--