

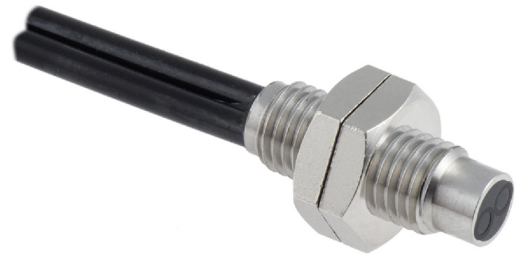
FUB 200C1Y00

Plastic fiber optic cable

Article number: 10135299

Overview

- Diffuse type
- Sensing distance up to 481 mm
- Threaded sensing head M6
- Plastic fiber 200 cm long, heat resistant
- Operating temperature up to +150 °C
- For compact fiber optic sensors FVDK 10 and OF10



Picture similar

Technical data

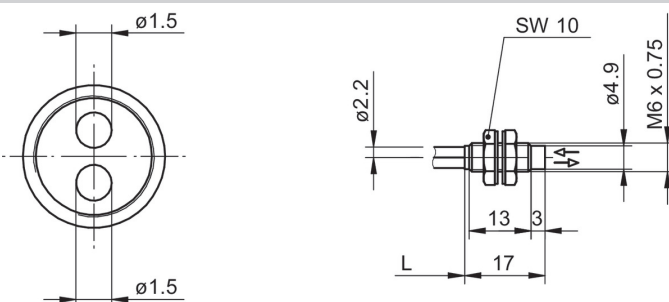
General data

Operating principle	Diffuse type
Sensing distance Tw	400 mm
Fiber optic head	Cylindrical threaded
Operating temperature	-60 ... +150 °C
Exit angle	60°
Fiber optics can be shortened to length	Yes
Integrated lens	No
Adaptable lens	No
Infrared light compatibility (1450 nm)	No
Smallest object recognizable	0.005 mm

Mechanical data

Diameter Fiber	1.5 mm
Width / diameter (head)	6 mm
Height / length (head)	17 mm
Material (head)	Stainless steel
Thread	M6 x 0.75
Bending radius (fixed)	35 mm
Cable jacket diameter	2.2 mm
Material cable jacket	PE
Material (fiber optic cable)	Plastic
Length (fiber optic cable)	200 cm

Dimension drawing



Sensing distance diagram

	Mode	Sensing Distance Tw [mm]
OF10	Ultra-High-Speed	203
	High-Speed	249
	Standard	268
	High-Resolution	331
	Long-Range	380
	Ultra-Long-Range	481
FVDK 10x6	Fast	191
	Semi Fast	271
	Normal	309
FVDK 10x5	Potentiometer	26

FUB 200C1Y00

Plastic fiber optic cable

Article number: 10135299

Accessories

Fitting fiber optic sensors

11252204	OF10.FR-GW2J.B2NV/A014
11244386	OF10.FR-GW2J.B2CV/A014
11224111	OF10.FR-PW1B.B2N
11224008	OF10.FR-NW1B.B2CV
11224009	OF10.FR-NW1B.B2N
11224110	OF10.FR-PW1B.B2CV
11244384	OF10.FR-GW2J.B2N/A014
10162867	FVDK 10N5101
10162865	FVDK 10N5101/S35A
10162866	FVDK 10P5101
10162864	FVDK 10P5101/S35A
11045446	FVDK 10N66Y0
11045448	FVDK 10N66Y0/S35A
11045460	FVDK 10N66YR
11045445	FVDK 10P66Y0
11045447	FVDK 10P66Y0/S35A
11045449	FVDK 10P66YR
11214490	FVDK 10P66ZR
11214493	FVDK 10P66Z0/S35A
11214478	FVDK 10P66Z0
11214492	FVDK 10N66ZR
11214494	FVDK 10N66Z0/S35A
11214479	FVDK 10N66Z0
11045462	FVDK 10N66YM
11045464	FVDK 10N66YS
11045461	FVDK 10P66YM
11045463	FVDK 10P66YS

Mounting accessories

10114652	Cutting tool for plastic fiber optics
10119911	Mounting bracket Ø 2,2 mm
10156738	Fiber optic cable extension 2 m
10158142	Fiber optic cable extension 5 m
10145523	Fiber optic cable extension 5 m highly flexible