

# FUE 100A2008

Glass fiber optic cable

Article number: 10229672

## Overview

- Diffuse type
- Sensing distance up to 200 mm
- Cylindrical smooth sensing head  $\varnothing 6$  mm
- Plastic jacket 100 cm long
- Operating temperature up to +70 °C
- For rugged fiber optic sensors FZAM 18 and FZAM 30



Picture similar

## Technical data

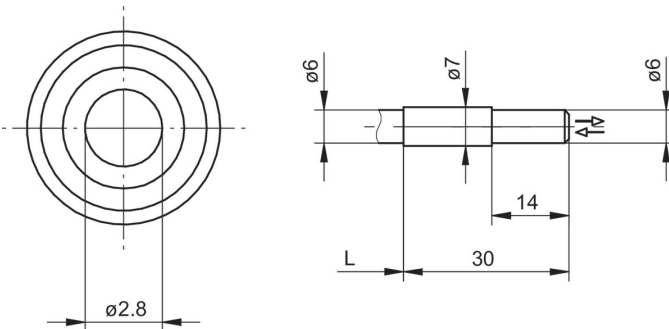
### General data

Particular characteristics	Smooth sensing head
Operating principle	Diffuse type
Sensing distance Tw	200 mm
Fiber optic head	Cylindrical smooth
Operating temperature	-25 ... +70 °C
Exit angle	60°
Fiber optics can be shortened to length	No
Integrated lens	No
Adaptable lens	No
Infrared light compatibility (1450 nm)	Yes

### Mechanical data

Width / diameter (head)	6 mm
Height / length (head)	30 mm
Material (head)	Aluminum
Bending radius (fixed)	18 mm
Bending radius (mobile)	36 mm
Cable jacket diameter	6 mm
Material cable jacket	PUR
Fiber cross section	3 mm <sup>2</sup>
Material (fiber optic cable)	Glass
Length (fiber optic cable)	100 cm

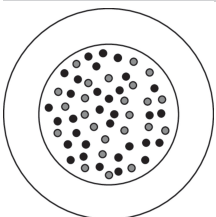
## Dimension drawing



## Sensing distance diagram

Sensor	Sensing Distance Tw [mm]
FZAM 30x5004	210
FZAM 30x5001	100
FZAM 18x1150 & FZAM 18x6460	150
FZAM 18x1155	55

## Fiber arrangement



# FUE 100A2008

Glass fiber optic cable

Article number: 10229672

## Accessories

### Fitting fiber optic sensors

10129020	FZAM 18N1150
10129021	FZAM 18N1150/S14
10129023	FZAM 18N1155
10128874	FZAM 18N6460
10128875	FZAM 18N6460/S14
10127712	FZAM 18P1150
10128111	FZAM 18P1150/S14
10127711	FZAM 18P1155
10128118	FZAM 18P6460
10127710	FZAM 18P6460/S14
10215060	FZAM 30N5004
10214166	FZAM 30P5001
10215057	FZAM 30P5004

### Mounting accessories

10102757	Adapter series 30
10101958	Adjusting plate series 18
10101480	Replacements cap nut for fiber optics series 18
10102801	Cap nut for sensors series 30