

**Overview**

- 240 mm
- 1200 mm
- pulsed infrared diode
- NPN
- potentiometer, 20 turn
- cable 4 pin, 2 m
- -25 ... 65 °C
- IP 65



Picture similar



**Technical data**

General data		Electrical data	
Actual range Sb	1200 mm	Voltage drop Vd	< 1.8 VDC
Sensing distance Tw	240 mm	Output function	Light / dark operate
Light source	Pulsed infrared diode	Output circuit	NPN
Light indicator	LED yellow	Output current	< 200 mA
Alignment / soiled lens indicator	LED, flashing	Short circuit protection	Yes
Adjustment	Potentiometer, 20 turn	Reverse polarity protection	Yes
Wave length	880 nm	Mechanical data	
Suppression of reciprocal influence	Yes	Width / diameter	15 mm
Electrical data		Height / length	60 mm
Response time / release time	< 1 ms	Depth	45 mm
Voltage supply range +Vs	10 ... 30 VDC	Type	Rectangular
Current consumption max. (no load)	46 mA	Housing material	Die-cast aluminum
Current consumption typ.	30 mA	Connection types	Cable 4 pin, 2 m
		Ambient conditions	
		Operating temperature	-25 ... +65 °C
		Protection class	IP 65

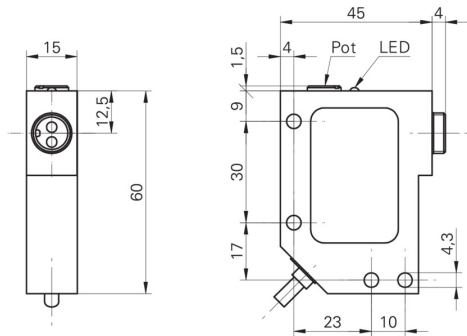
2022-11-10 The product features and technical data specified do not express or imply any warranty. Technical modifications subject to change.

# FVDM 15N5103

Fiber optic sensors & cables

Article number: 10234639

## Dimension drawing



## Connection diagram

