

## Overview

- 240 mm
- 1200 mm
- pulsed infrared diode
- NPN
- potentiometer, 20 turn
- cable 4 pin, 2 m
- -25 ... 65 °C
- IP 65



Picture similar



## Technical data

### General data

Light source	Pulsed infrared diode
Light indicator	LED yellow
Alignment / soiled lens indicator	LED, flashing
Adjustment	Potentiometer, 20 turn
Wave length	880 nm
Suppression of reciprocal influence	Yes

### Electrical data

Response time / release time	< 1 ms
Voltage supply range +Vs	10 ... 30 VDC
Current consumption max. (no load)	46 mA
Current consumption typ.	30 mA
Voltage drop Vd	<1.8 VDC

### Electrical data

Output function	Light / dark operate
Output circuit	NPN
Output current	200 mA
Short circuit protection	Yes
Reverse polarity protection	Yes

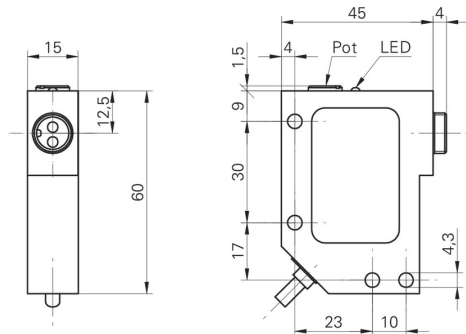
### Mechanical data

Width / diameter	15 mm
Height / length	60 mm
Depth	45 mm
Design	Rectangular
Housing material	Die-cast aluminum
Connection types	Cable 4 pin, 2 m

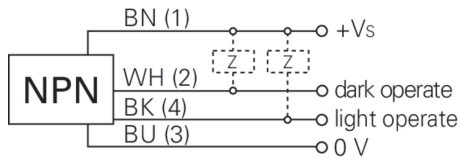
### Ambient conditions

Operating temperature	-25 ... +65 °C
Protection class	IP 65

## Dimension drawing



## Connection diagram



## Accessories

### Mounting accessories

10103415                      10103415

### Lenses and components

10103230                      Cap nut (replace) for fiber optics series 15