

GT 9

 Blind hollow shaft $\varnothing 12 \dots 16$ mm or cone shaft $\varnothing 17$ mm (1:10)

 Housing $\varnothing 89$ mm, bearingless configuration

Overview

- Low response time
- Open circuit voltage 10...20 mV per rpm
- Blind hollow shaft $\varnothing 12 \dots 16$ mm or cone shaft $\varnothing 17$ mm (1:10)
- High signal quality due to patented LongLife technology
- No auxiliary energy source required


HUBNER
 BERLIN
 A Baumer Brand

Technical data

Technical data - electrical ratings

Reversal tolerance	$\leq 0,1 \%$
Linearity tolerance	$\leq 0,15 \%$
Temperature coefficient	$\pm 0,05 \%/K$ (open-circuit)
Isolation class	B
Calibration tolerance	$\pm 5 \%$
Climatic test	Humid heat, constant (IEC 60068-2-3, Ca)
Performance	0.3 W (speed ≥ 5000 rpm)
Armature-circuit time-constant	$< 9 \mu s$
Open-circuit voltage	10...20 mV per rpm
Interference immunity	EN 61000-6-2
Emitted interference	EN 61000-6-3
Approval	CE

Technical data - mechanical design

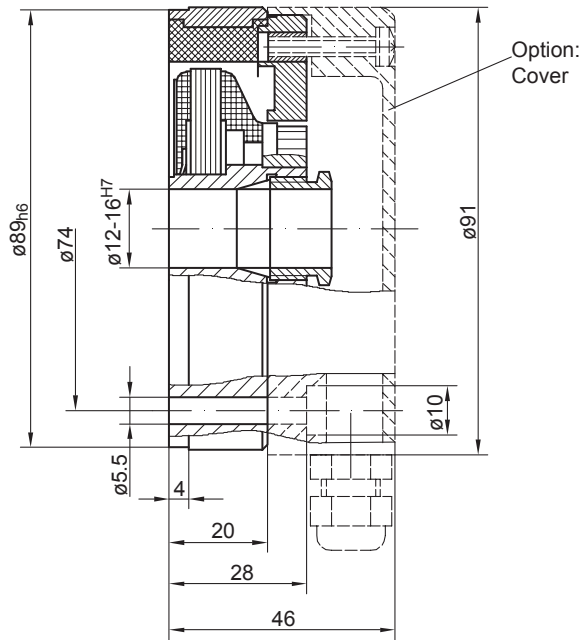
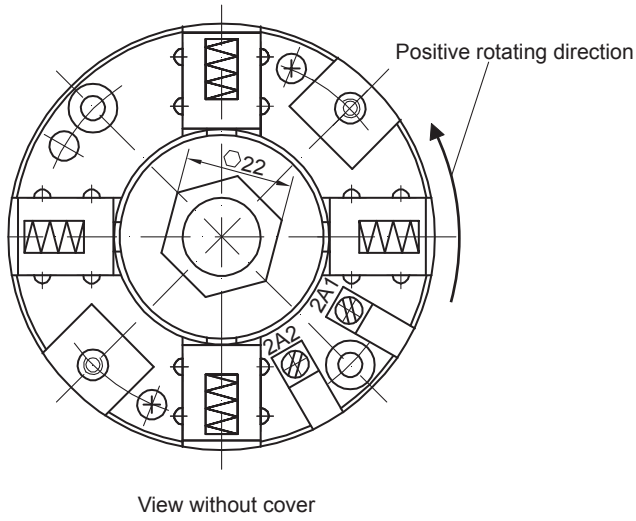
Size (flange)	$\varnothing 89$ mm
Shaft type	$\varnothing 12 \dots 16$ mm (blind hollow shaft) $\varnothing 17$ mm (cone shaft 1:10)
Protection EN 60529	IP 00 IP 44 (with cover)
Torque	0,35 Ncm
Rotor moment of inertia	0,95 kgcm ²
Material	Housing: stainless steel / plastic Shaft: stainless steel
Operating temperature	-30...+130 °C
Resistance	IEC 60068-2-6 Vibration 10 g, 10-2000 Hz IEC 60068-2-27 Shock 100 g, 6 ms
Weight approx.	0,6 kg
Connection	Plug-in terminals

GT 9

Blind hollow shaft $\varnothing 12 \dots 16$ mm or cone shaft $\varnothing 17$ mm (1:10)

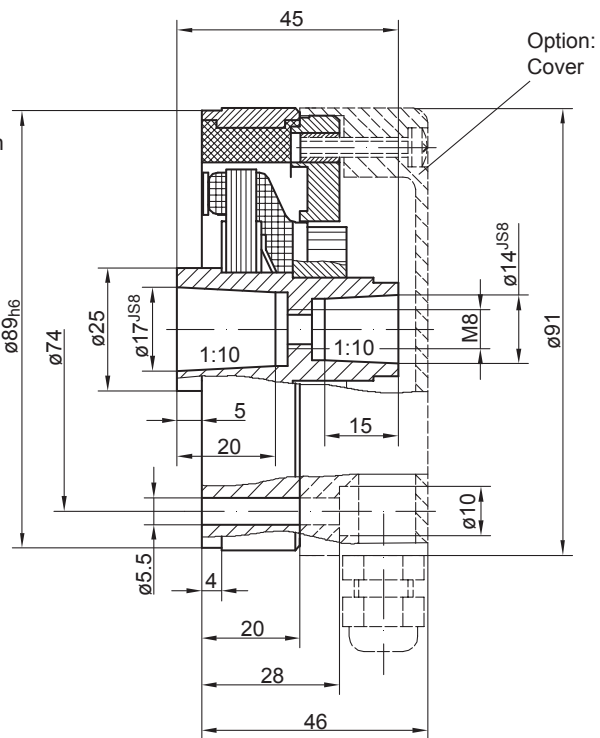
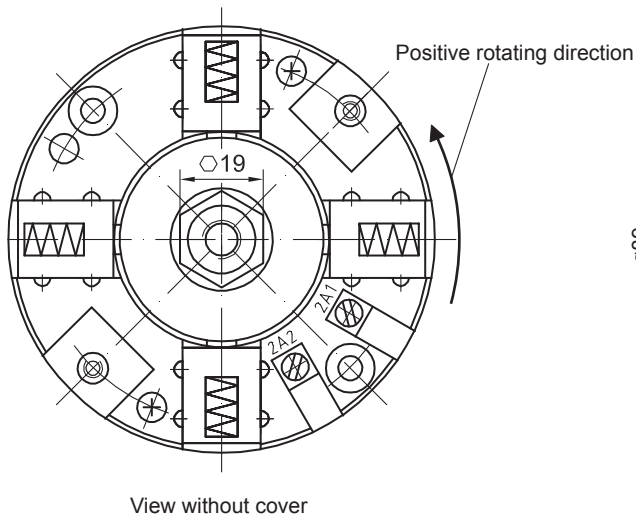
Housing $\varnothing 89$ mm, bearingless configuration

Dimensions



HM89M22028

Version with through hollow shaft



HM82M19117

Version with cone shaft

GT 9

Blind hollow shaft $\varnothing 12 \dots 16$ mm or cone shaft $\varnothing 17$ mm (1:10)
Housing $\varnothing 89$ mm, bearingless configuration

Ordering reference

		GT9.06L/4	##	#
Product				
Tachogenerator		GT9.06L/4		
Open-circuit voltage				
10 mV per rpm		10		
20 mV per rpm		20		
Design				
Cylindrical shaft		-		
Cone shaft		K		

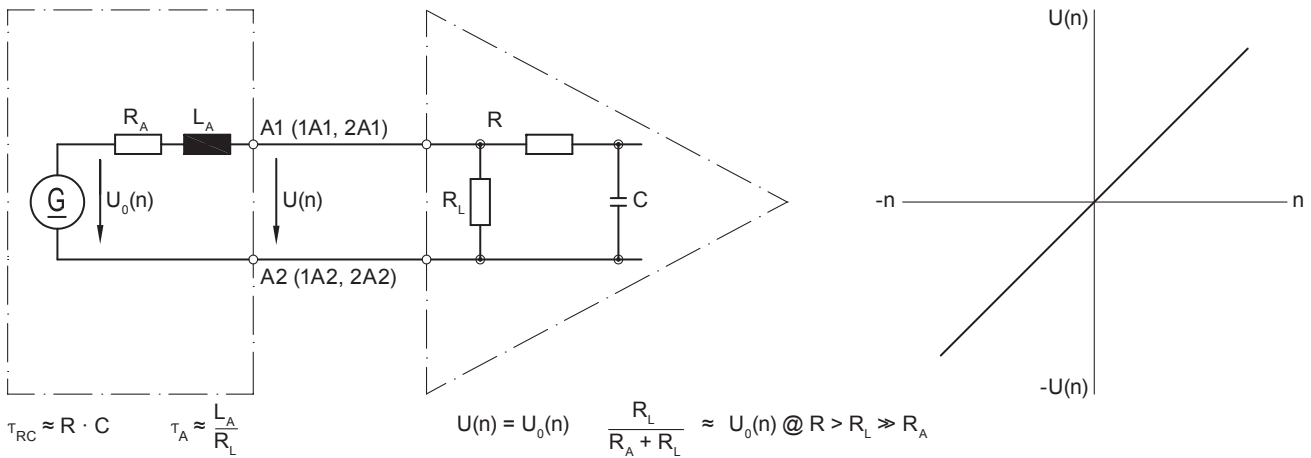
Data according to type

Type	Off-load voltage U_0 [mV/rpm]	Minimum load required depending on speed range [rpm]			Maximum operating speed n_{max} [rpm]	Armature resistance R_A (20°C) [Ω]	Armature inductance L_A [mH]
		0-3000 R_L [k Ω]	0-6000 R_L [k Ω]	0- n_{max} R_L [k Ω]			
GT9.06L/410	10	≥ 5	≥ 12	≥ 27	9000	105	40
GT9.06L/420	20	≥ 20	≥ 48	≥ 108	9000	370	169

Superimposed ripple (for $\tau_{RC} = 0.3$ ms): $\leq 0.5\%$ (peak-peak) $\leq 0.25\%$ (rms)

Replacement switching diagram

Tachogenerator



Polarity for positive rotating direction (see dimension) / A1 (1A1, 2A1): + (VDE) / A2 (1A2, 2A2): - (VDE)

Accessories

Mounting accessories

Mounting cone (on request)