

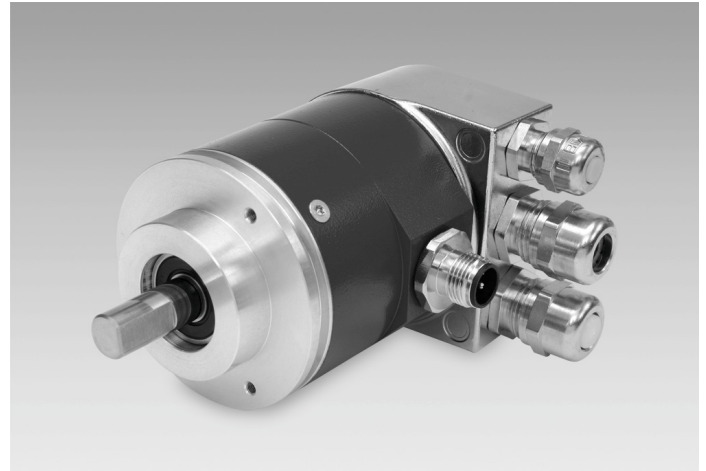
## GXMMW + incremental

Solid shaft with clamping or synchro flange

Optical multiturn encoders 13 bit ST / 16 bit MT, incremental tracks

### Overview

- Encoder multiturn / bus cover
- Optical sensing method
- Resolution: singleturn 13 bit, multiturn 16 bit
- Clamping or synchro flange
- High resistance to shock and vibrations
- CANopen®, EtherCAT, EtherNet/IP, SAEJ1939, PROFINET, Profibus, SSI
- Code continuity check optional by bus
- Two incremental tracks A and B
- Maximum resistant against magnetic fields



### Technical data

#### Technical data - electrical ratings

Voltage supply	10...30 VDC
Reverse polarity protection	Yes
Consumption w/o load	≤100 mA (24 VDC)
Initializing time typ.	250 ms after power on
Interface	CANopen® EtherCAT EtherNet/IP Profibus PROFINET SAE J1939 SSI
Function	Multiturn
Device adress	Rotary switch in bus cover (type-specific)
Steps per revolution	≤8192 / 13 bit
Number of revolutions	≤65536 / 16 bit
Absolute accuracy	±0.025 °
Sensing method	Optical
Code	Binary
Code sequence	CW/CCW programmable
Output stages	Push-pull short-circuit proof RS422
Incremental output	2048 pulses A90°B + inverted
Interference immunity	EN 61000-6-2
Emitted interference	EN 61000-6-4
Programmable parameters	Steps per revolution Number of revolutions Preset Scaling Rotating direction
Diagnostic function	Position or parameter error Multiturn sensing

#### Technical data - electrical ratings

Status indicator	DUO-LED integrated in bus cover
Approval	UL approval / E63076

#### Technical data - mechanical design

Size (flange)	ø58 mm
Shaft type	ø10 mm solid shaft (clamping flange) ø6 mm solid shaft (synchro flange)
Flange	Clamping or synchro flange
Protection EN 60529	IP 54 (without shaft seal) IP 65 (with shaft seal)
Operating speed	≤10000 rpm (mechanical) ≤6000 rpm (electric)
Starting acceleration	≤1000 U/s <sup>2</sup>
Starting torque	≤0.01 Nm (+25 °C, IP 54) ≤0.015 Nm (+25 °C, IP 65)
Rotor moment of inertia	20 gcm <sup>2</sup>
Admitted shaft load	≤20 N axial ≤40 N radial
Material	Housing: steel Flange: aluminium Bus cover: aluminium
Operating temperature	-25...+85 °C -40...+85 °C (optional)
Relative humidity	95 % non-condensing
Resistance	EN 60068-2-6 Vibration 10 g, 16-2000 Hz EN 60068-2-27 Shock 200 g, 6 ms
Weight approx.	670 g
Connection	Bus cover

## GXMMW + incremental

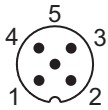
Solid shaft with clamping or synchro flange

Optical multiturn encoders 13 bit ST / 16 bit MT, incremental tracks

### Terminal assignment

#### Incremental connector

Connector	Assignment
Pin 1	A
Pin 2	B
Pin 3	A inv.
Pin 4	B inv.
Pin 5	GND

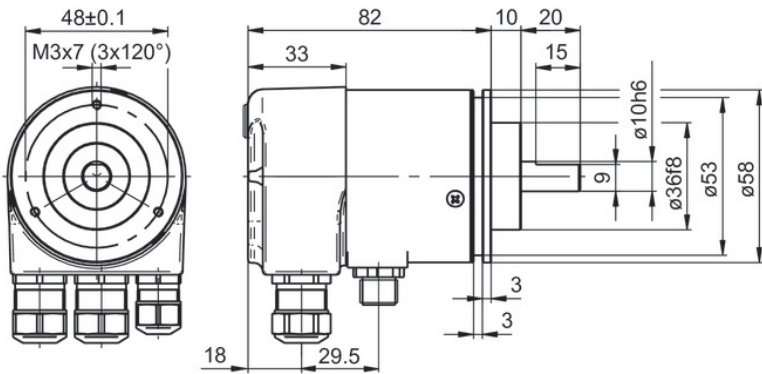


# GXMMW + incremental

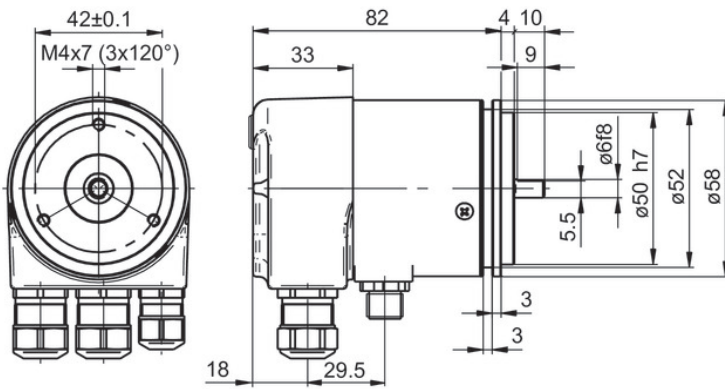
Solid shaft with clamping or synchro flange

Optical multiturn encoders 13 bit ST / 16 bit MT, incremental tracks

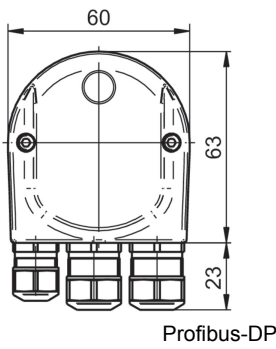
## Dimensions



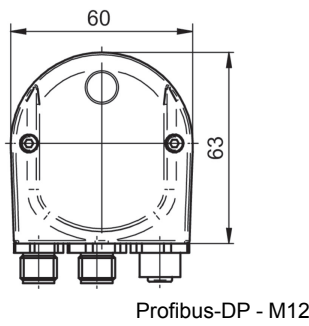
GXMMW - clamping flange



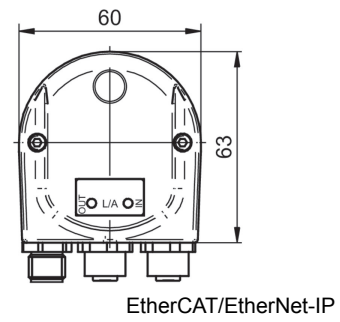
GXMMW - synchro flange



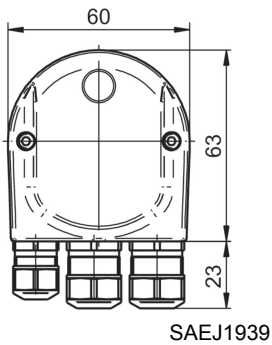
Profibus-DP



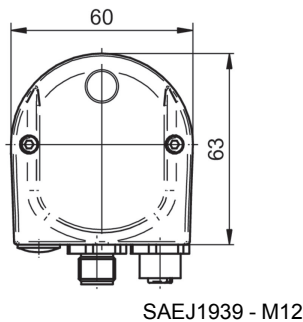
Profibus-DP - M12



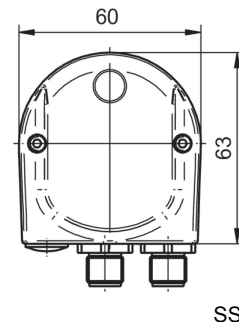
EtherCAT/EtherNet-IP



SAEJ1939



SAEJ1939 - M12



SSI

## GXMMW + incremental

Solid shaft with clamping or synchro flange

Optical multiturn encoders 13 bit ST / 16 bit MT, incremental tracks

### Ordering reference

Product	GXMMW	.	#	##	####
<b>Flange / Solid shaft</b>	GXMMW				
Clamping flange / ø10 mm, IP 54				0	
Clamping flange / ø10 mm, IP 65				A	
Synchro flange / ø6 mm, IP 54				1	
Synchro flange / ø6 mm, IP 65				B	
<b>Pulses / Incremental output</b>					
2048 pulses / push-pull +inverted					50
2048 pulses / RS422					F0
<b>Interface</b>					
Profibus-DPV0 / cable gland					3P32
Profibus-DPV0 / connector M12					3PA2
Profibus-DPV2 / cable gland					3V32
Profibus-DPV2 / connector M12					3VA2
PROFINET / connector M12					3EA2
EtherCAT / connector M12					EPA6
EtherNet/IP / connector M12					8EA2
CANopen® / cable gland					5P32
CANopen® / connector M12					5PA2
SSI / connector M12					2PA2
SAEJ1939 / cable gland					5B32
SAEJ1939 / connector M12					5BA2

### Accessories

#### Mounting accessories

11065545	Set of eccentric fixings type A
10141255	Adaptor plate for clamping flange to convert into synchro flange
10125051	Mounting adaptor
10158124	Bearing flange for encoders with synchro flange (Z 119.035)
10117667	Mounting adaptor
10117668	Set of eccentric fixings for mounting clamp (10117667)
10141132	Spring washer coupling (D1=6 / D2=10)

#### Programming accessories

11034193	Programming cable for encoders with SSI bus cover, CD with software and manual (Z 139.008)
----------	--