

HEAG 159

Precision sine multiplier

Converting of SinCos encoder signals into multiplied SinCos output signals

Overview

- Converting of SinCos signals into multiplied SinCos signals
- Multiplying factor 1...128
- Offset and amplitude adjustment
- Oversampling with 24 MHz
- Digitally pre-filter
- High signal quality



Technical data

Technical data - electrical ratings

Voltage supply	5 VDC \pm 5 % 10...30 VDC
Consumption	\leq 500 mA (5 VDC) \leq 300 mA (10...30 VDC)
Inputs	SinCos 2x SinCos
Input signals	A+, A-, B+, B-, R+, R-
Outputs	SinCos Error output
Output signals	A+, B+, R+, A-, B-, R- Option: A+, B+, R+, A-, B-, R-, Error-
Output frequency	\leq 600 kHz
Amplitude resolution	12 bit

Technical data - electrical ratings

Interpolation factor for Sin-Cos output (multiplying)	1...128
Approval	CE
Technical data - mechanical design	
Dimensions W x H x L	122 x 122 x 80 mm
Protection EN 60529	IP 65
Operating temperature	0...+50 °C
Resistance	IEC 60068-2-6 Vibration 1 g, 50-2000 Hz IEC 60068-2-27 Shock 30 g, 11 ms
Weight approx.	1 kg
Connection	Connector M23, 12-pin Connector, 3-pin, external voltage supply

Optional

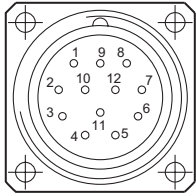
- Internal pre-amplifier
- Two sine inputs for compensating radial runout of the connected encoder
- Error output, external voltage supply

Terminal assignment

View A (see dimension)

Input encoder signals

Assignment flange connector



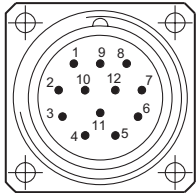
Flange connector M23, female, 12-pin, counter-clockwise (CCW)

Pin	Assignment
1	B-
2	5 VDC
3	R+
4	R-
5	A+
6	A-
7	dnu
8	B+
9	dnu
10	0V (⊥)
11	0V (⊥)
12	5 VDC

View B (see dimension)

SinCos output

Assignment flange connector



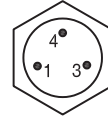
Flange connector M23, male, 12-pin, counter-clockwise (CCW)

Pin	Assignment
1	B _{MULT} -
2	5 VDC (with external voltage supply: dnu)
3	R _{MULT} +
4	R _{MULT} -
5	A _{MULT} +
6	A _{MULT} -
7	dnu (with error output: Err-)
8	B _{MULT} +
9	dnu
10	0V (⊥)
11	0V (⊥)
12	5 VDC (with external voltage supply: dnu)

Terminal assignment

View C (see dimension)

External power supply



male, 3-pin, counter-clockwise (CCW)

Pin	Assignment
1	10...30 VDC
3	⊥ (0 V)
4	Shield

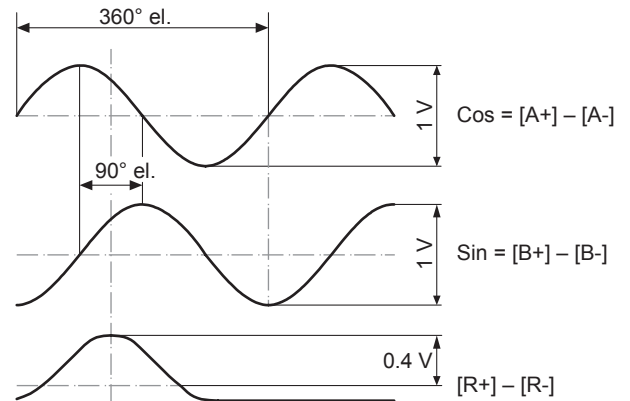
Terminal significance

... VDC	Voltage supply
0V (⊥)	Ground
A+	Output signal channel 1
A-	Output signal channel 1 inverted
B+	Output signal channel 2 (offset by 90° to channel 1)
B-	Output signal channel 2 inverted
R+	Zero pulse (reference signal)
R-	Zero pulse inverted
Err-	Error output
dnu	Do not use

Output signals

SinCos

Multiplied sine signals

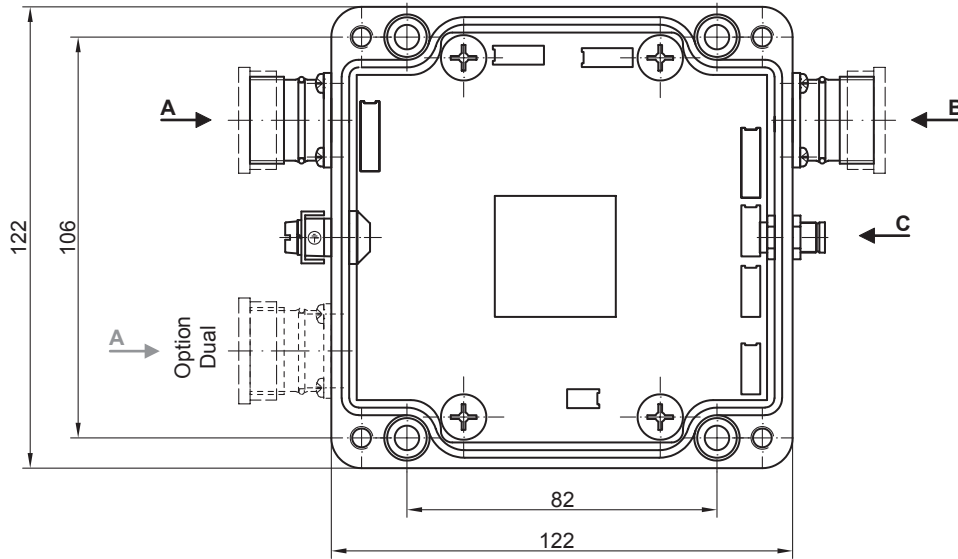


HEAG 159

Precision sine multiplier

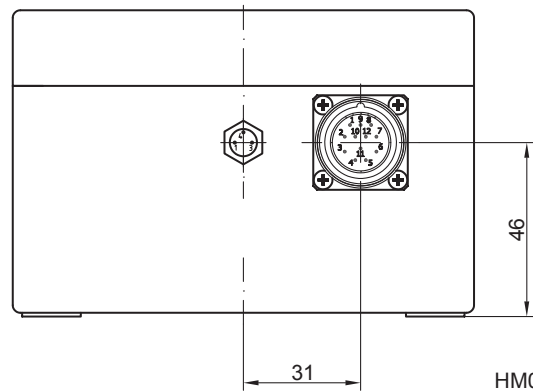
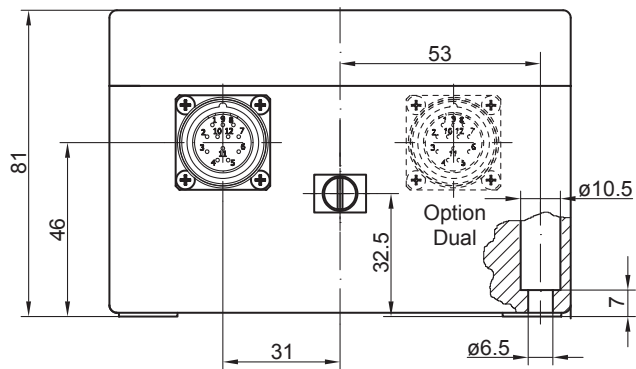
Converting of SinCos encoder signals into multiplied SinCos output signals

Dimensions



View A

View B/C



HM04M26711

HEAG 159

Precision sine multiplier

Converting of SinCos encoder signals into multiplied SinCos output signals

Ordering reference
HEAG159 - # # - ### - ## - ##
Product

Signal Processing

HEAG159

Internal pre-amplifier

Without integrated pre-amplifier

-

With integrated pre-amplifier

V

Dual sine input

One sine input (standard)

-

Two sine inputs for compensating radial runout of the connected encoder

D

Interpolation factor for SinCos output

1

1

2

2

4

4

8

8

16

16

32

32

64

64

128

128

Error output

Without error output

-

With error output

ER

External voltage supply

Without external supply

-

With external supply

EXT