

HEAG 173, HEAG 174

Fiber-optic receiver for interference-free transmission of square-wave signals

Overview

- For high interference locations
- Each channel is coupled onto fiber-optic easy-to-fit plug
- Reconversion of optical to electrical signals in the receiver control cabinet
- 3 different plug versions available
- Delay time over a 100 m length of fiber-optic is 1 μ s
- Except of POF all fiber optic cable usable, e. g. PCF 200 μ m, silica fiber 50 and 62.5 μ m



Technical data

Technical data - electrical ratings

Voltage supply	HEAG 173: 5 VDC \pm 5 % HEAG 174: 9...26 VDC
Consumption	\leq 60 mA
Inputs	3 x fiber-optic
Input signals	Fiber-optic 1, 2 and 3
Outputs	HEAG 173: 3 x TTL HEAG 174: 3 x HTL
Output signals	K1, K2, K3 + inverted
Transmission frequency	\leq 250 kHz

Technical data - electrical ratings

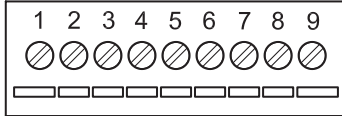
Transmission length	\leq 300 m
Approval	CE

Technical data - mechanical design

Dimensions W x H x L	50 x 75 x 55 mm
Protection EN 60529	IP 20
Operating temperature	-20...+50 °C (without dew)
Connection	Screw terminal connector 3x connector (VL, ST or SMA)

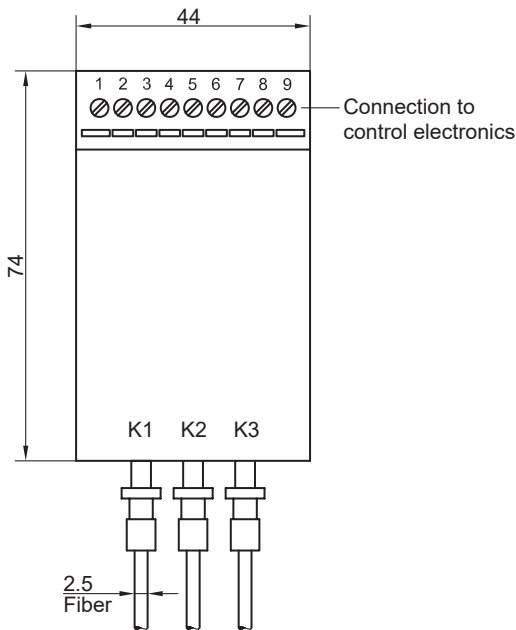
Terminal assignment

Terminal assignment



Terminal	Assignment
1	+UB
2	0V (\perp)
3	K1
4	$\overline{K1}$
5	K2
6	$\overline{K2}$
7	K3
8	$\overline{K3}$
9	dnu

Dimensions



HEAG 173, HEAG 174

Fiber-optic receiver for interference-free transmission of square-wave signals

Ordering reference

		HEAG17	#####	###
Product				
Signal Processing		HEAG17		
Output stages				
3x TTL			3 TTL	
3x HTL			4 HTL	
Type of plug connector				
Type VL				VL
Type ST				ST
Type SMA				SMA