

HMG10P-T - PROFINET

Through hollow shaft / PROFINET / 13 bit ST / 16 bit MT

Speed switch, number of pulses and switching speed freely programmable

Overview

- Magnetic sensing method
- Function display via LEDs
- Multiturn sensing with Energy Harvesting technology "MicroGen", without gear or battery
- Two-sided bearing system with hybrid bearings
- Special protection against corrosion CX (C5-M)



Picture similar

HUBNER
BERLIN
A Baumer Brand

microGen
Energy Harvesting

Technical data

Technical data - electrical ratings

Voltage supply	10...30 VDC
Short-circuit proof	Yes
Consumption w/o load	≤200 mA
Initializing time	≤ 500 ms after power on
Interface	PROFINET
Function	Multiturn
Transmission rate	100 MBaud
Device address	Automatic address designation
Steps per revolution	8192 / 13 bit
Number of revolutions	65536 / 16 bit
Additional outputs	Square-wave TTL/HTL, TTL/RS422
Sensing method	Magnetic
Interference immunity	EN 61000-6-2
Emitted interference	EN 61000-6-3
Programming interface	RS485 (≤600 m)
Programmable parameters	Bus system: see bus features Additional output (number of pulses), switch-off and switch-on speeds
Diagnostic function	Position or parameter error
Status indicator	DUO-LED and LEDs link/activity in bus connecting box 4 LEDs in device back side
Approval	CE UL approval / E217823 EAC

Technical data - electrical ratings (speed switch)

Switching accuracy	± 2 % (or 1 Digit)
Switching outputs	1 output (Open collector, solid state relay on request)

Technical data - electrical ratings (speed switch)

Output switching capacity	30 VDC; ≤100 mA
Switching delay time	≤20 ms
Technical data - mechanical design	
Size (flange)	ø105 mm
Shaft type	ø16...20 mm (through hollow shaft)
Flange	Support plate, 360° freely positionable
Protection EN 60529	IP 66/IP 67
Operating speed	≤6000 rpm
Range of switching speed	ns (off) = ±2...6000 rpm, factory setting 6000 rpm
Operating torque typ.	10 Ncm
Rotor moment of inertia	950 gcm ²
Admitted shaft load	≤450 N axial ≤650 N radial
Material	Housing: aluminium alloy Shaft: stainless steel
Corrosion protection	IEC 60068-2-52 Salt mist for ambient conditions CX (C5-M) accord- ing to ISO 12944-2
Operating temperature	-40...+85 °C
Relative humidity	95 % non-condensing
Resistance	IEC 60068-2-6 Vibration 30 g, 10-2000 Hz IEC 60068-2-27 Shock 400 g, 1 ms
Weight approx.	2.2 kg (depending on version)
Connection	Bus connecting box Terminal box incremental

HMG10P-T - PROFINET

Through hollow shaft / PROFINET / 13 bit ST / 16 bit MT

Speed switch, number of pulses and switching speed freely programmable

Optional

- Integrated speed switch programmable
- Additional output incremental programmable

HMG10P-T - PROFINET

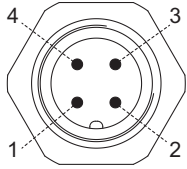
Through hollow shaft / PROFINET / 13 bit ST / 16 bit MT

Speed switch, number of pulses and switching speed freely programmable

Terminal assignment

View A1 (see dimension)

View into connector bus "voltage supply"

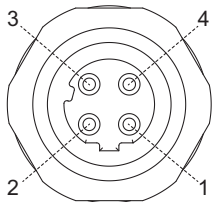


Connector M12 (male)
4-pin, A-coded

Pin	Connection
1	UB
2	dnu
3	GND
4	dnu

View A2 and A3 (see dimension)

View into connector bus „data transmission“



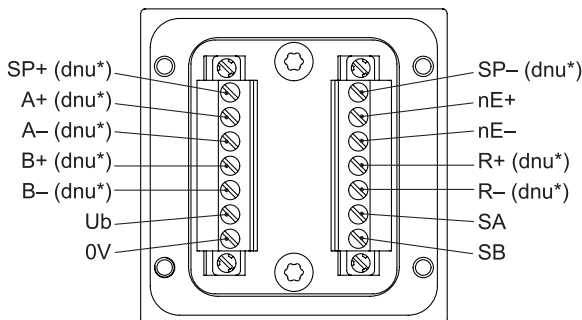
Connector M12 (female)
4-pin, D-coded

Pin	Connection
1	TxD+
2	RxD+
3	TxD-
4	RxD-

View B (see dimension)

Connecting terminal terminal box
Programming interface / speed switch /
additional output II (HTL, TTL)

* Assignment depends on encoder version



Terminal significance

Bus interface

Connection	Description
GND	Ground for UB
UB	Voltage supply 10...30 VDC
TxD+	Transmission data+
TxD-	Transmission data-
RxD+	Receiving data+
RxD-	Receiving data-
dnu	Do not use

Ub	Voltage supply
0V	Ground
A+	Output signal channel 1
A-	Output signal channel 1 inverted
B+	Output signal channel 2 (offset by 90° to channel 1)
B-	Output signal channel 2 inverted
R+	Zero pulse (reference signal)
R-	Zero pulse inverted
nE+	System OK+ / error output
nE-	System OK- / error output inverted
SP+	DSL_OUT1 / speed switch (open collector, solid state relay on request)
SP-	DSL_OUT2 / speed switch (0V, solid state relay on request)
SA	RS485+ / programming interface
SB	RS485- / programming interface
dnu	Do not use

PROFINET features

Bus protocol	PROFINET
Device profile	Encoder Profil PNO 3.162
Features	<ul style="list-style-type: none"> 100 MBaud Fast Ethernet IP address programmable Realtime (RT) Class 1, IRT Class 2, IRT Class 3
Process data	Position value 32 bit input data

HMG10P-T - PROFINET

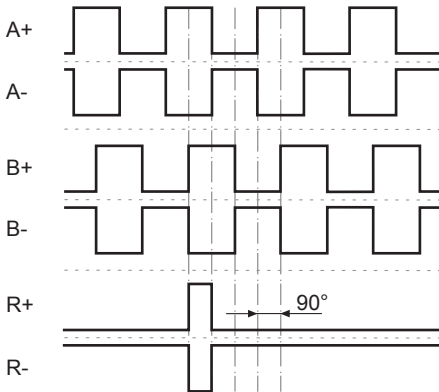
Through hollow shaft / PROFINET / 13 bit ST / 16 bit MT

Speed switch, number of pulses and switching speed freely programmable

Output signals

Additional output II (HTL/TTL)

At positive rotating direction (see dimension)



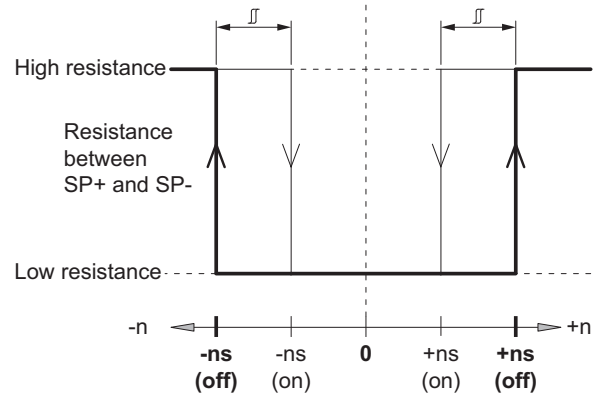
Trigger level

Incremental HTL/TTL

Electrically isolated:
The output TTL/HTL ($V_{in} = V_{out}$) at the additional output II is electrically isolated and requires a separate power supply.

Trigger level	TTL/RS422
High / Low	$\geq 2.5 \text{ V} / \leq 0.5 \text{ V}$
Transmission length	$\leq 550 \text{ m @ } 100 \text{ kHz}$
Output frequency	$\leq 600 \text{ kHz}$
Trigger level	TTL/HTL ($V_{in} = V_{out}$)
High / Low	$\geq 2.5 \text{ V} / \leq 0.5 \text{ V}$ (TTL) $\geq U_b - 3 \text{ V} / \leq 1.5 \text{ V}$ (HTL)
Transmission length	$\leq 550 \text{ m @ } 100 \text{ kHz}$ (TTL) $\leq 350 \text{ m @ } 100 \text{ kHz}$ (HTL)
Output frequency	$\leq 600 \text{ kHz}$ (TTL); $\leq 350 \text{ kHz}$ (HTL)

Switching characteristics speed switch



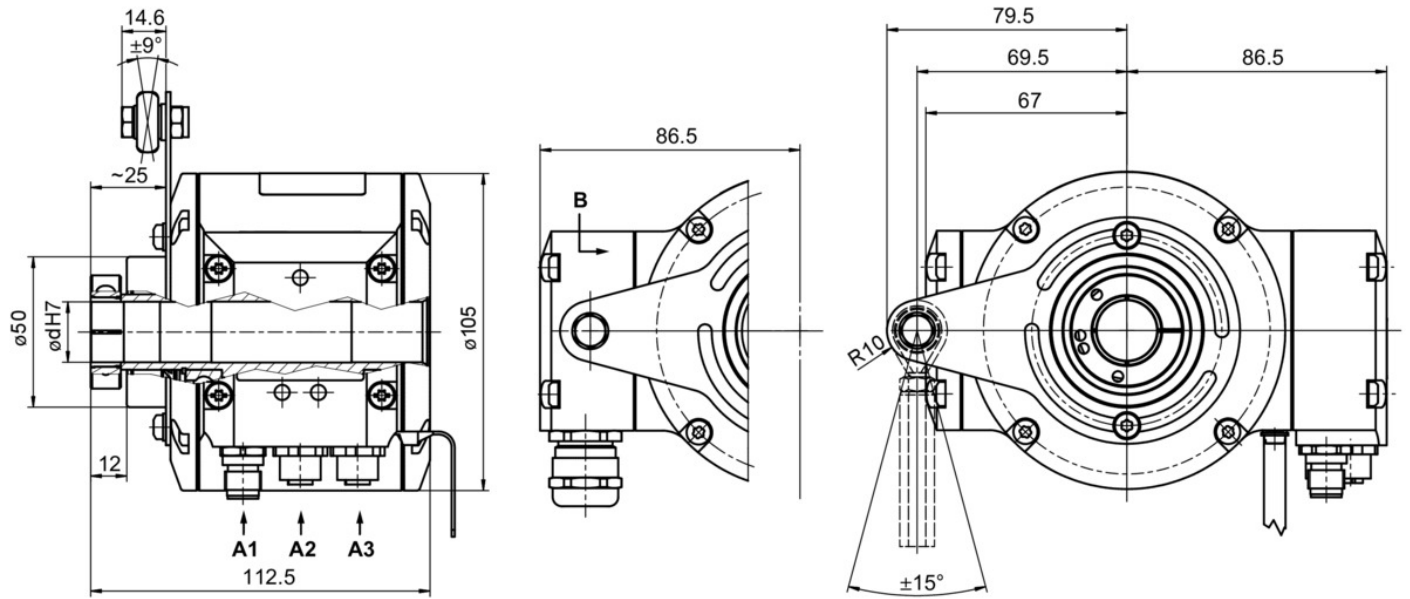
n	Speed
$+ns$ (off)	Switch-off speed at shaft rotation in positive rotating direction (see dimension).
$-ns$ (off)	Switch-off speed at shaft rotation in negative rotating direction (see dimension).
	Switching hysteresis Δ : 10...100 % (factory setting = 10 % min. 1 Digit)
$+ns$ (on)	Switch-on speed at shaft rotation in positive rotating direction (see dimension).
$-ns$ (on)	Switch-on speed at shaft rotation in negative rotating direction (see dimension).

HMG10P-T - PROFINET

Through hollow shaft / PROFINET / 13 bit ST / 16 bit MT

Speed switch, number of pulses and switching speed freely programmable

Dimensions



Through hollow shaft with terminal box

HMG10P-T - PROFINET

Through hollow shaft / PROFINET / 13 bit ST / 16 bit MT

Speed switch, number of pulses and switching speed freely programmable

Ordering reference

	HMG10P	#	-	T	H	#	.	#	G	PN	.	3	6	0	0	#	.	A
Product	HMG10P																	
Absolute encoder	HMG10P																	
Digital speed switch																		
Without	-																	
With	D																	
Shaft type																		
Through hollow shaft	T																	
Flange (Hollow shaft)																		
Support (Support plate) for torque arm, hybrid bearings	H																	
Protection class																		
IP 66 and IP 67, optimized for dusty, abrasive environment	D																	
IP 66 and IP 67, optimized for oily, wet environment	L																	
Through hollow shaft																		
Ø16 mm, clamping ring, A end	C																	
Ø20 mm, clamping ring, A end	F																	
Ø16 mm, keyway	P																	
Connection																		
Bus connecting box with 3 connectors M12, radial + terminal box with 1 cable gland M20, radial	G																	
Supply voltage (field bus)																		
10...30 VDC, Profinet	PN																	
Resolution singleturn position																		
13 Bit	3																	
Resolution multiturn position																		
16 Bit	6																	
Resolution speed																		
No speed signal	0																	
Resolution supplement I																		
No additional output I	0																	
Resolution supplement II																		
No additional output II	0																	
1024 ppr TTL/HTL push-pull (Vin=Vout), 6 channels, electrically isolated	5																	
1024 ppr TTL (RS422), 6 channels	6																	
Operating temperature																		
-40...+85 °C	A																	

(1) Switching speed 6000 rpm / factory setting, programmable

(2) Factory setting, programmable

Accessories

Mounting accessories

11043628	Torque arm M6, length 67...70 mm
11004078	Torque arm M6, length 120...130 mm (≥71 mm)
11002915	Torque arm M6, length 425...460 mm (≥131 mm)
11054917	Torque arm M6 insulated, length 67...70 mm
11072795	Torque arm M6 insulated, length 120...130 mm (≥71 mm)
11082677	Torque arm M6 insulated, length 425...460 mm (≥131 mm)
11077197	Mounting kit for torque arm size M6 and earthing strap
11077087	Mounting and dismounting set

11238694 CAM12.WS13-11238694

Programming accessories

11190106 Z-PA.SDL.1 - WLAN-Adapter