

HOG 75 K

Cone shaft $\varnothing 17$ mm (1:10)

250...2500 pulses per revolution

Overview

- Cone shaft $\varnothing 17$ mm (1:10)
- Optical sensing method
- Compact, robust aluminium housing
- Inside connecting terminals
- Output stage HTL or TTL
- Output stage TTL with regulator UB 9...26 VDC
- Especially high resistance to vibrations
- Hybrid bearing for extended service life (HOG 75 KC)



HUBNER
BERLIN
A Baumer Brand

Technical data

Technical data - electrical ratings

Voltage supply	9...26 VDC 5 VDC ± 5 %
Consumption w/o load	≤ 100 mA
Pulses per revolution	250 ... 2500
Phase shift	$90^\circ \pm 20^\circ$
Duty cycle	40...60 %
Reference signal	Zero pulse, width 90°
Sensing method	Optical
Output frequency	≤ 120 kHz
Output signals	K1, K2, K0 + inverted
Output stages	HTL TTL/RS422
Interference immunity	EN 61000-6-2
Emitted interference	EN 61000-6-3
Approval	CE UL approval / E217823

Technical data - mechanical design

Size (flange)	$\varnothing 75$ mm
---------------	---------------------

Technical data - mechanical design

Shaft type	$\varnothing 17$ mm (cone shaft 1:10)
Admitted shaft load	≤ 80 N axial ≤ 150 N radial
Protection EN 60529	IP 56
Operating speed	≤ 12000 rpm (mechanical)
Starting torque	≤ 4 Ncm
Rotor moment of inertia	180 gcm ²
Material	Housing: aluminium Shaft: stainless steel
Operating temperature	$-30...+85^\circ\text{C}$
Resistance	IEC 60068-2-6 Vibration 48 g, 10-2000 Hz IEC 60068-2-27 Shock 200 g, 6 ms
Explosion protection	II 3 G Ex ec IIC T4 Gc (gas) II 3 D Ex tc IIIC T135°C Dc (dust) (only with option ATEX)
Connection	Connecting terminal
Weight approx.	860 g

HOG 75 K

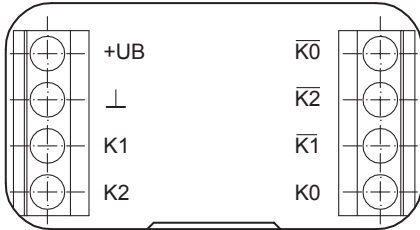
Cone shaft $\varnothing 17$ mm (1:10)

250...2500 pulses per revolution

Terminal assignment

View A (see dimension)

Connecting terminal



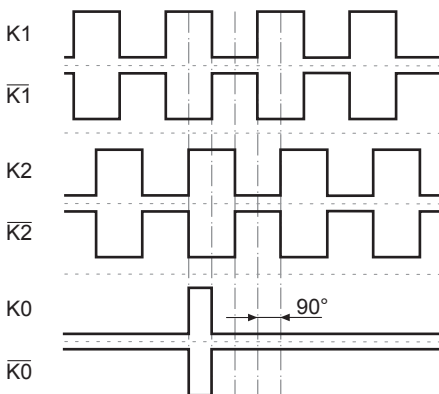
Terminal significance

+UB	Voltage supply
0V (⊥)	Ground
K1	Output signal channel 1
K̄1	Output signal channel 1 inverted
K2	Output signal channel 2 (offset by 90° to channel 1)
K̄2	Output signal channel 2 inverted
K0	Zero pulse (reference signal)
K̄0	Zero pulse inverted

Output signals

HTL/TTL

At positive rotating direction (see dimension)

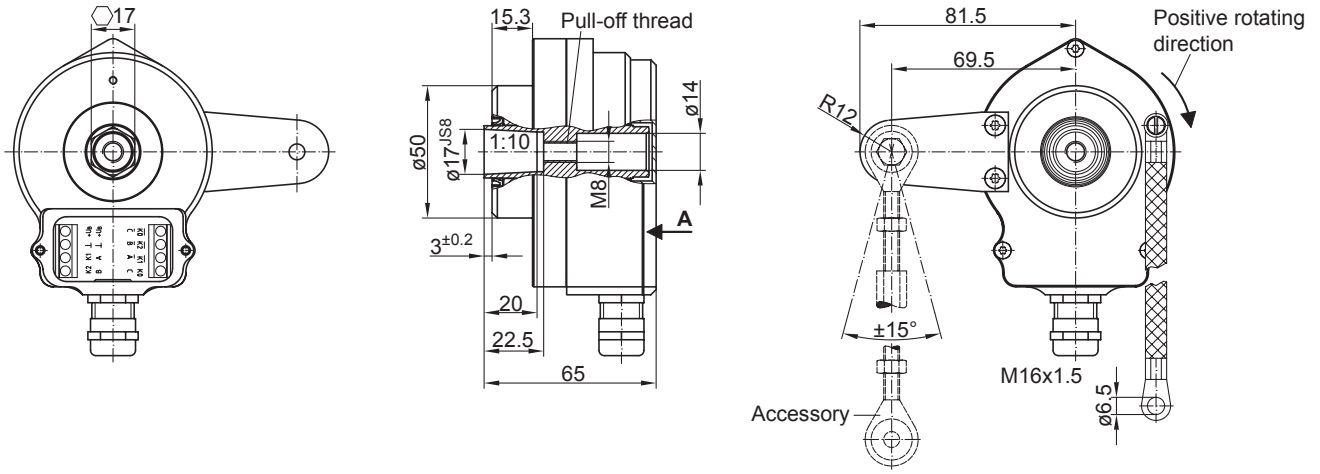


HOG 75 K

Cone shaft $\varnothing 17$ mm (1:10)

250...2500 pulses per revolution

Dimensions



HOG 75 K

 Cone shaft \varnothing 17 mm (1:10)

250...2500 pulses per revolution

Ordering reference

	HOG75K	C	DN	####	###	17K
Product	Incremental encoder	HOG75K				
Shaft type	With hybrid bearings		C			
Output signals	K1, K2, K0				DN	
Pulse number⁽¹⁾						
	250				250	
	256				256	
	500				500	
	512				512	
	720				720	
	1024				1024	
	1200				1200	
	1250				1250	
	2048				2048	
	2500				2500	
Voltage supply / output stage						
	9...26 VDC / output stage HTL (C) with inverted signals					CI
	5 VDC / output stage TTL with inverted signals					TTL
	9...26 VDC / output stage TTL with inverted signals					R
Shaft diameter	Cone shaft \varnothing 17 mm (1:10)					17K

(1) Other pulse numbers on request.

Accessories

Mounting accessories

11077087	Mounting and dismounting set
11043628	Torque arm M6, length 67...70 mm
11004078	Torque arm M6, length 120...130 mm (\geq 71 mm)
11002915	Torque arm M6, length 425...460 mm (\geq 131 mm)
11054917	Torque arm M6 insulated, length 67...70 mm
11072795	Torque arm M6 insulated, length 120...130 mm (\geq 71 mm)
11082677	Torque arm M6 insulated, length 425...460 mm (\geq 131 mm)
11077197	Mounting kit for torque arm size M6 and earthing strap