

Housing base set B V4A VCXG.I r IP69K

Article number: 11207844

Overview

- Stainless steel housing base set for Pharma and Food & Beverage applications (incl. Splash and food zones)
- Hygienic design (design according to EHEDG guidelines) to house VCXG.I cameras, IP69K protection
- Housing corpus with clamp elements to position the chosen VCXG.I camera
- M40 hygienic gland and M40 stainless steel counter nut to for fixation at the machine wall
- sealed up cable gland for IP68 protection inside the machine
- To be ordered separately: stainless steel lens protection Tube M60 V4A IP69K (11208732) necessary to close the housing



Technical data

Mechanical data

External diameter	63 mm
Max. lens length	80 mm
Weight	≤ 1505 g
Thread	M60 × 1,5
Length of tube	206.5 mm

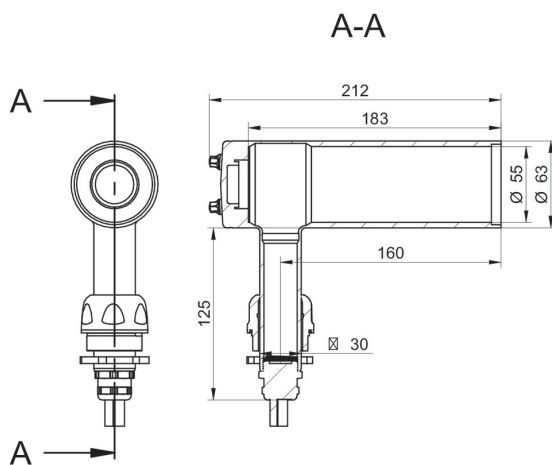
Mechanical data

Material	Stainless steel 1.4404
Sealing	FLOUROPENE XP41 TPU, halogen-free EPDM (inside only)

Environmental conditions

Operating temperature	-15 ... +70 °C
-----------------------	----------------

Dimension drawing



Principle

