

## IARM 08P1503/S35L

Inductive sensors special versions

Article number: 10228687

### Overview

- 0,4 mm
- PNP make function (NO)
- connector M8
- -25 ... 75 °C
- IP 67



Picture similar



### Technical data

#### General data

Mounting type	Flush
Special type	With banking screw
Nominal sensing distance S <sub>n</sub>	0,4 mm
Hysteresis	3 ... 20 % of S <sub>r</sub>
Output indicator	4 port LED red

#### Electrical data

Switching frequency	< 5 kHz
Voltage supply range +V <sub>s</sub>	10 ... 30 VDC
Current consumption max. (no load)	18 mA
Output circuit	PNP make function (NO)
Voltage drop V <sub>d</sub>	< 2,5 VDC

#### Electrical data

Output current	< 100 mA
Short circuit protection	Yes
Reverse polarity protection	Yes

#### Mechanical data

Type	Cylindrical threaded
Material (sensing face)	PBT
Housing material	Steel / hardened steel
Dimension	8 mm
Housing length	56 mm
Connection types	Connector M8

#### Ambient conditions

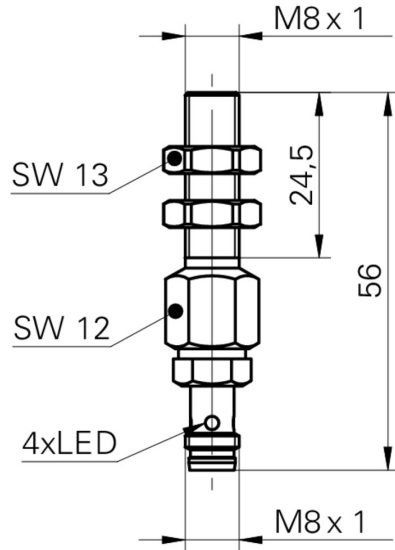
Operating temperature	-25 ... +75 °C
Protection class	IP 67

### Remarks

- Output triggered on impact
- Quick and easy replacement of sensor IFRM 04P1513/S35L

# IARM 08P1503/S35L

## Dimension drawing



## Connection diagram

