

IDC200.W16

Camera based multicode reader for 1D and 2D codes - Focal length 16 mm

Article number: 11704587

Overview

- Stationary code reader for reading and checking barcodes (1D) and matrix codes (2D) including GS1
- Parameterization in the web browser, no installation of software required
- Easy access via USB or industrial Ethernet
- Clear status information via integrated OLED display
- Simultaneous reading of multiple codes at once and checking against default value



Picture similar



Technical data

Feature checks

Identification Barcode
Matrix code

Supported Codes

1D codes 2/5 Industrial
2/5 Interleaved
Codabar
Code 32 (converted from Code 39)
Code 39
Code 39 Extended
Code 93
Code 128
EAN-8 Add-On 2
EAN-8 Add-On 5
EAN-8
EAN-13 Add-On 2
EAN-13 Add-On 5
EAN-13
GS1 DataBar Expanded Stacked
GS1 DataBar Expanded
GS1 DataBar Limited
GS1 DataBar Omnidirectional
GS1 DataBar Stacked Omnidirectional
GS1 DataBar Stacked
GS1 DataBar Truncated
GS1-128
MSI
PharmaCode
UPC-A Add-On 2
UPC-A Add-On 5
UPC-A
UPC-E Add-On 2
UPC-E Add-On 5
UPC-E

Supported Codes

2D codes Data Matrix ECC 200
QR Code
Micro QR Code
PDF417
Aztec Code
DotCode
GS1 DataMatrix
GS1 QR Code
GS1 Aztec Code
GS1 DotCode

Optical properties

Reading distance (front edge)	100 ... 1000 mm
Field of View min.	23 x 14 mm
Field of View max.	240 x 150 mm
Min. modul size 1D	0.03 mm / 1.2 mil
Min. modul size 2D	0.06 mm / 2.3 mil
Decoding rate max.	40 codes per second at 1MP
Image sensor	CMOS-Sensor, monochrome, global Shutter
Resolution	1280 x 800 (1MP)
Focal length	16 mm
Focus	Electromechanical auto focus
Light source	LED illumination with 16 LED, 4 segments individually switchable

Display and controls

Indicator ring	4 RGB LED for pass / fail etc.
Pointer	Green (570 nm), approximate center of image
Display	OLED, 128 x 64 pixels, 0.96" with burn-in protection
Buttons	2 pcs qTeach buttons

IDC200.W16

Camera based multicode reader for 1D and 2D codes - Focal length 16 mm

Article number: 11704587

Technical data

Interfaces and connectors

Software / parametrisation	Integrated Webserver for parametrisation
Interface	Gigabit Ethernet, 3/3 digitale I/O, USB (Parametrisierung und HID)
Protocols	PROFINET (CC-A), TCP, FTP, SFTP, USB-HID (virtual keyboard)

Electrical data

Voltage supply range +Vs	+ 24 VDC \pm 20 % , reverse polarity protected
Power supply	Typ. 5.5 W (1.2 A max. at 24 V)
Electrical connection	M12, 12-pin, A-coded, male
Ethernet connection	1000-Mbit/s-Ethernet, M12, 8-pin, X-coded, socket
USB Connection	Type C (HID, parametrization)

Mechanical data

Dimensions (W x H x D)	50 mm x 52 mm x 50 mm
------------------------	-----------------------

Mechanical data

Weight	350 g
--------	-------

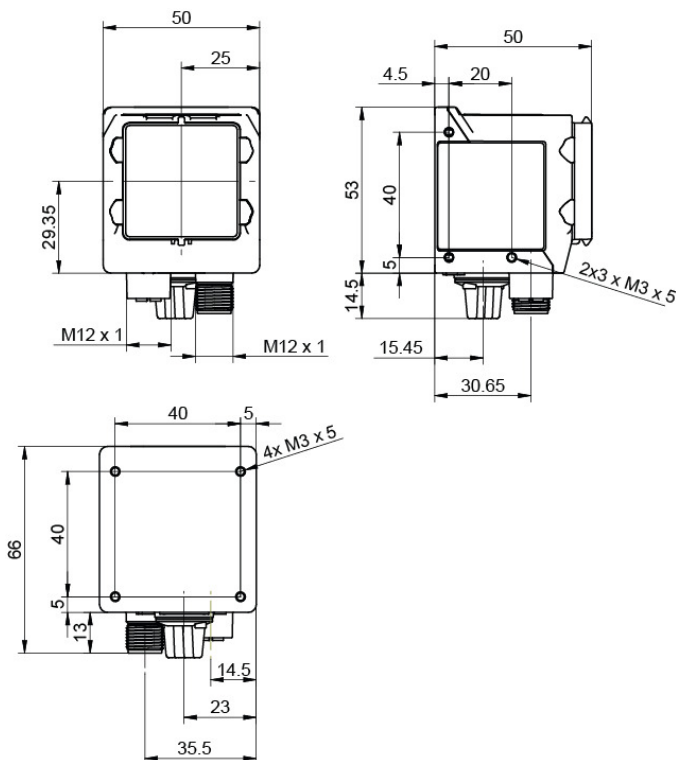
Ambient conditions

Ambient temperature	0 ... + 45 °C
Storage temperature	- 10 ... + 60 °C
Ambient humidity	0 ... 85 %
Protection class (IEC 60529)	IP 67
Vibration (sinusoidal)	1 mm p-p at f = 10 - 55 Hz, duration 5 min per axis 30 min endurance at f = 55 Hz per axis IEC 60068-2-6:2008
Shock (semi-sinusoidal)	30 g / 11 ms, 6 jolts per axis and direction IEC 60068-2-27:2009

Conformity

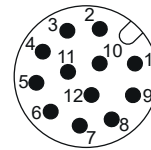
Conformity	CE
------------	----

Dimension drawing



Pin assignment

Electrical connection: Connector M12, 12-pin, A-coded



Pin	Signal
1	Power (+24 VDC \pm 20%)/2L
2	Ground/2M
3	IN1 (Trigger)
4	IN2
5	IN3
6	OUT1
7	(not used)
8	OUT2
9	OUT3
10	(not used)
11	(not used)
12	(not used)

IDC200.W16

Camera based multicode reader for 1D and 2D codes - Focal length 16 mm

Article number: 11704587

Pin assignment

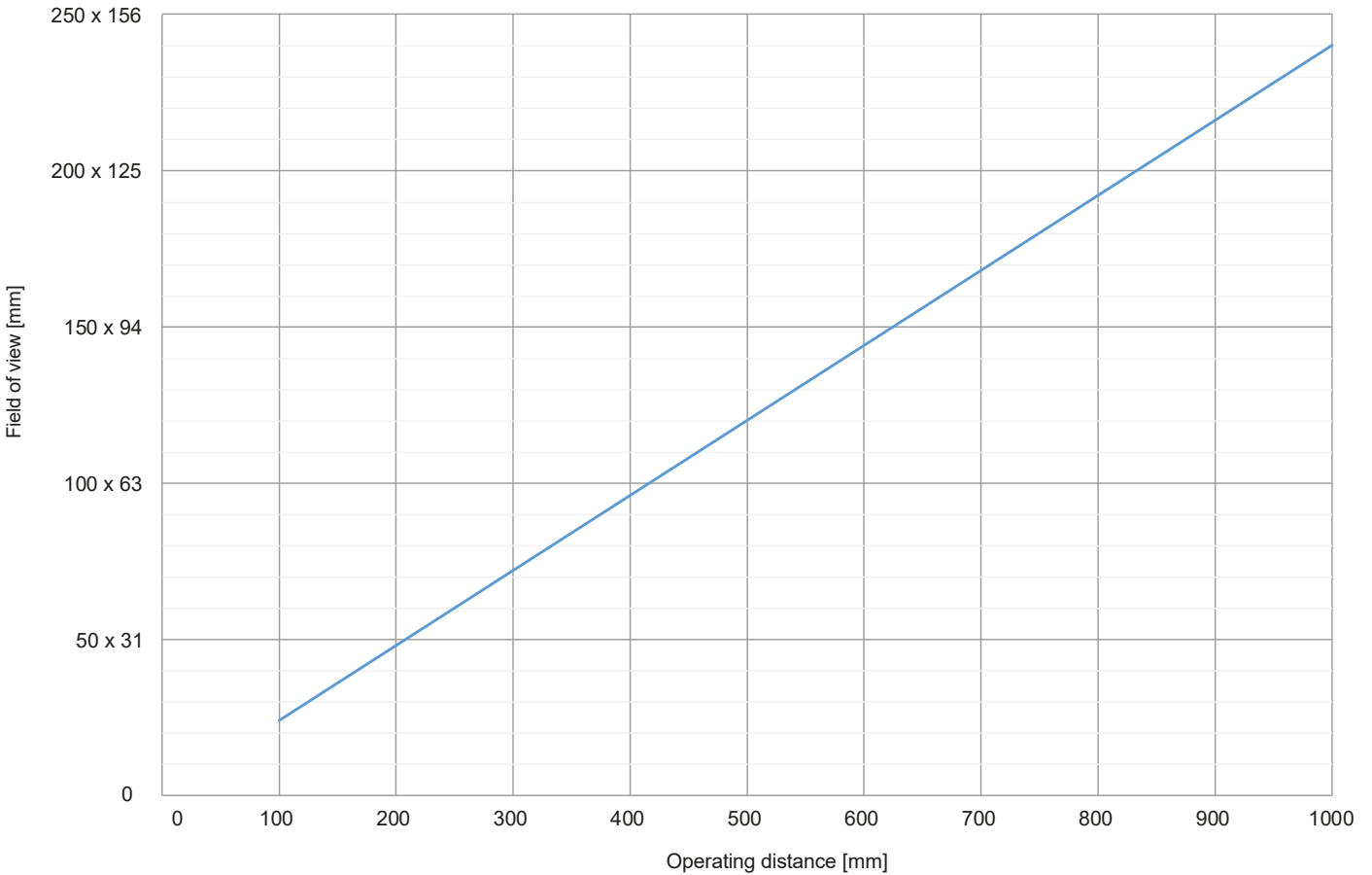
Ethernet connection: GigE, socket M12, 8-pin, X-coded



Pin	Signal
1	RX+
2	RX-
3	TX+
4	TX-
5	-VDC
6	-VDC
7	+VDC
8	+VDC

Diagrams

Field of view



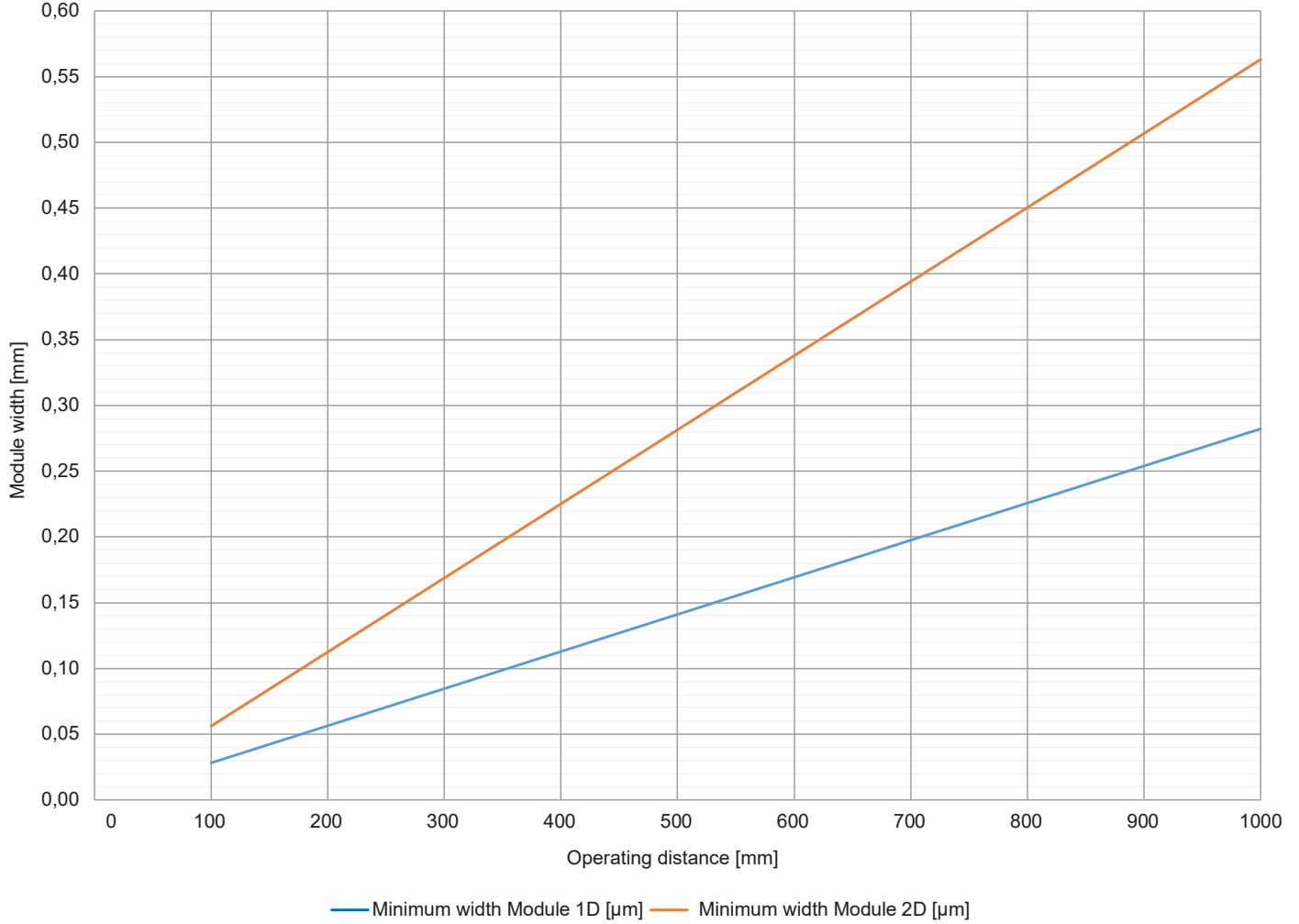
IDC200.W16

Camera based multicode reader for 1D and 2D codes - Focal length 16 mm

Article number: 11704587

Diagrams

Minimum module width



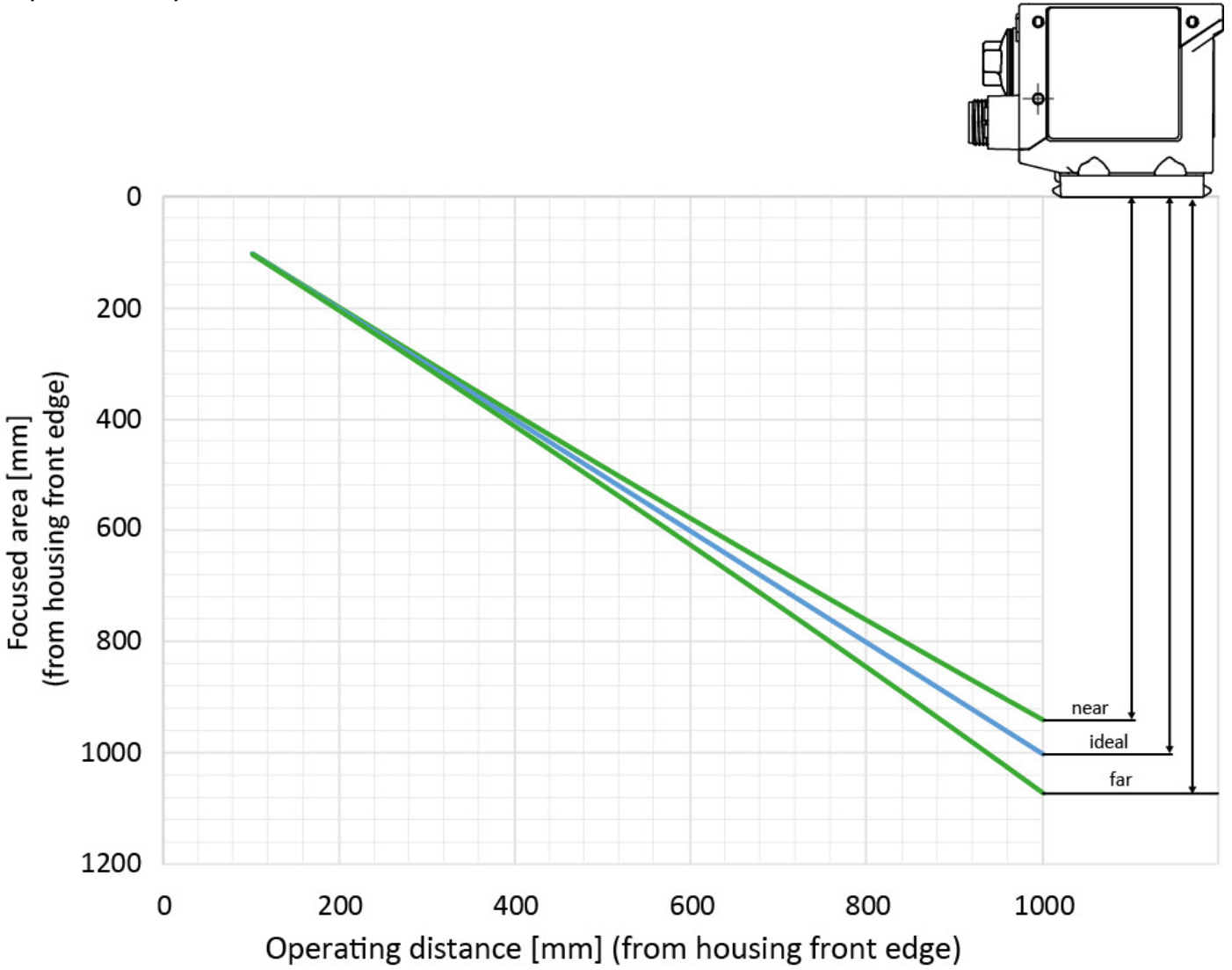
IDC200.W16

Camera based multicode reader for 1D and 2D codes - Focal length 16 mm

Article number: 11704587

Diagrams

Depth of focus at operation distance



2024-04-17 The product features and technical data specified do not express or imply any warranty. Technical modifications subject to change.