

**Overview**

- Distance measuring
- 0 ... 3 mm
- PNP / push-pull
- IO-Link
- Cable PUR, 2m
- -20 ... 70 °C
- IP 67



Picture similar



**Technical data**

General data		Electrical data	
Mounting type	Quasi-flush	Reverse polarity protection	Yes
Special type	Linearized	Communication interface	
Type	Distance measuring	Interface	IO-Link V1.1
Measuring distance Sd	0 ... 3 mm	Baud rate	230,4 kBaud (COM 3)
Resolution	< 0,005 mm (High Accuracy Mode)	Cycle time	≥ 0,6 ms
Repeat accuracy	< 0,01 mm	Process data length	32 Bit
Adjustment	IO-Link	Process data structure	Bit 0 = SSC1 (distance) Bit 1 = SSC2 (distance) Bit 3 = alarm Bit 4 = SSC3 (frequency) Bit 5 = SSC4 (counter) Bit 16-31 = 16 Bit measurement
Teach	Single point, Two point, Window	IO-Link port type	Class A
Linearity error	± 10 µm (S = 0 ... 2 mm) ± 90 µm (S = 0 ... 3 mm)	Adjustable parameters	Measuring range Switching point Switching hysteresis Measured value filtering Time filters Output logic Output circuit Counter Deactivate the sensor element
Temperature drift	± 2 % (Full Scale; S = 0 ... 2 mm) ± 6 % (Full Scale; S = 0 ... 3 mm)		
Hysteresis	< 99 % (adjustable)		
Electrical data			
Response time (factory characteristic)	< 1 ms		
Switching frequency	< 1,25 kHz		
Voltage supply range +Vs	8 ... 30 VDC		
Current consumption max. (no load)	15 mA		
Output circuit	PNP Push-pull IO-Link		
Output current	< 50 mA		
Short circuit protection	Yes		

**Technical data**

**Communication interface**

Additional data	Distance
	Frequency
	Operating cycles
	Operating hours
	Boot cycles
	Operating voltage
	Device temperature
	Histograms

**Mechanical data**

Type	Rectangular
------	-------------

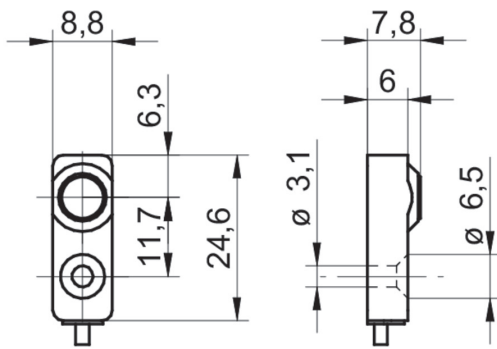
**Mechanical data**

Housing material	Stainless steel
Dimension	8 mm
Housing length	24.6 mm
Connection types	Cable PUR, 2 m
Tightening torque max.	0.8 Nm

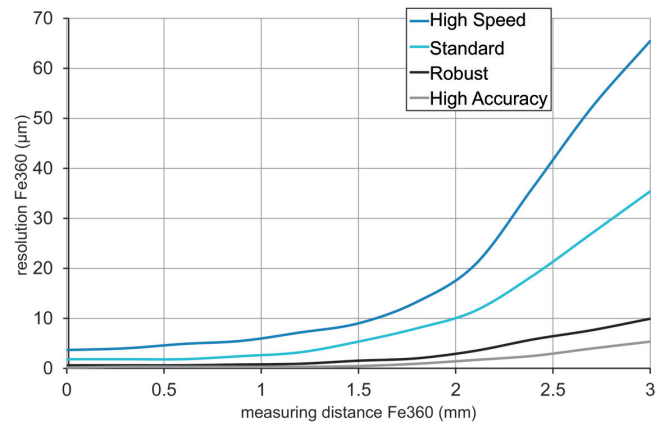
**Ambient conditions**

Operating temperature	-20 ... +70 °C
Protection class	IP 67

**Dimension drawing**



**Resolution**



**Connection diagram**

