

IFBR 11N37T1/S14L-9

Inductive proximity switch - hygiene

Article number: 11014594

Overview

- 4 mm
- NPN break function (NC)
- connector M12
- -40 ... 80 °C
- IP 68/69K & proTect+



Picture similar



Technical data

General data

| | |
|--|---|
| Mounting type | Flush |
| Special type | Hygienic design |
| Nominal sensing distance S _n | 4 mm |
| Hysteresis | 2 ... 15 % of S _r |
| Output indicator | LED red |
| Approvals/certificates | Ecolab Adapted from EHEDG REGULATION (EC) 1935/2004 REGULATION (EC) 2023/2006 REGULATION (EU) 1282/2011 FDA 21 CFR § 175.300 FDA 21 CFR § 177.2600 FCN 742 |

Ecolab
Adapted from EHEDG
REGULATION (EC) 1935/2004
REGULATION (EC) 2023/2006
REGULATION (EU) 1282/2011
FDA 21 CFR § 175.300
FDA 21 CFR § 177.2600
FCN 742

Electrical data

| | |
|---------------------------------------|--------------|
| Switching frequency | < 1 kHz |
| Voltage supply range +V _s | 6 ... 30 VDC |
| Current consumption max. (no load) | 10 mA |

Electrical data

| | |
|---|-------------------------|
| Output circuit | NPN break function (NC) |
| Voltage drop V _d | < 2 VDC |
| Output current | < 200 mA |
| Output current (at cleaning temperature) | < 100 mA |
| Short circuit protection | Yes |
| Reverse polarity protection | Yes |

Mechanical data

| | |
|-------------------------|-----------------------------------|
| Type | Cylindrical smooth |
| Material (sensing face) | LCP |
| Housing material | Stainless steel 1.4404 (V4A); LSR |
| Dimension | 11 mm |
| Housing length | 60 mm |
| Connection types | Connector M12 |

Ambient conditions

| | |
|-----------------------|-----------------------------|
| Operating temperature | -40 ... +80 °C |
| Cleaning temperature | 80 ... +100 °C (30 min/day) |
| Protection class | IP 68/69K & proTect+ |

Remarks

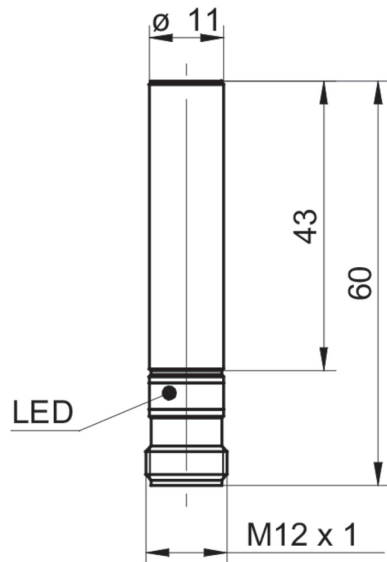
- Sensor compliant with various food regulations (see approvals)
- LSR = Liquid Silicon Rubber

IFBR 11N37T1/S14L-9

Inductive proximity switch - hygiene

Article number: 11014594

Dimension drawing



Connection diagram

