

Overview

- 2 mm
- NPN make function (NO)
- cable, 2 m
- -25 ... 75 °C
- IP 67



Picture similar



Technical data

General data

| | |
|--|------------------------------|
| Mounting type | Flush |
| Nominal sensing distance S _n | 2 mm |
| Hysteresis | 3 ... 20 % of S _r |
| Output indicator | LED red |

Electrical data

| | |
|---------------------------------------|------------------------|
| Switching frequency | 5 kHz |
| Voltage supply range +V _s | 6 ... 36 VDC |
| Current consumption max. (no load) | 12 mA |
| Output circuit | NPN make function (NO) |
| Voltage drop V _d | < 2 VDC |
| Output current | < 200 mA |

Electrical data

| | |
|-----------------------------|-----|
| Short circuit protection | Yes |
| Reverse polarity protection | Yes |

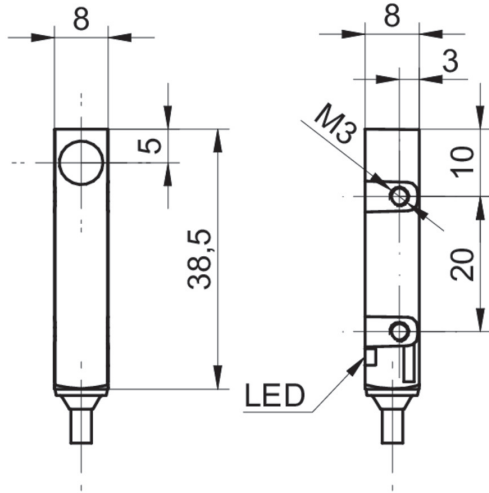
Mechanical data

| | |
|-------------------------|-----------------------------|
| Type | Rectangular |
| Material (sensing face) | PBT |
| Housing material | Die-cast zinc nickel plated |
| Dimension | 8 mm |
| Housing length | 38.5 mm |
| Connection types | Cable, L=2 m |

Ambient conditions

| | |
|-----------------------|----------------|
| Operating temperature | -25 ... +75 °C |
| Protection class | IP 67 |

Dimension drawing



Connection diagram

