

**Overview**

- 2 mm
- NPN break function (NC)
- cable, 2 m
- -25 ... 75 °C
- IP 67



Picture similar



**Technical data**

**General data**

Mounting type	Flush
Nominal sensing distance S <sub>n</sub>	2 mm
Hysteresis	3 ... 20 % of S <sub>r</sub>
Output indicator	LED red

**Electrical data**

Switching frequency	5 kHz
Voltage supply range +V <sub>s</sub>	6 ... 36 VDC
Current consumption max. (no load)	12 mA
Output circuit	NPN break function (NC)
Voltage drop V <sub>d</sub>	< 2 VDC
Output current	< 200 mA

**Electrical data**

Short circuit protection	Yes
Reverse polarity protection	Yes

**Mechanical data**

Type	Rectangular
Material (sensing face)	PBT
Housing material	Die-cast zinc nickel plated
Dimension	8 mm
Housing length	20 mm
Connection types	Cable, L=2 m

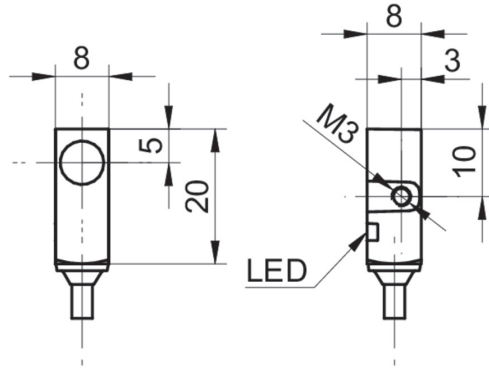
**Ambient conditions**

Operating temperature	-25 ... +75 °C
Protection class	IP 67

**Remarks**

- Short compact housing

**Dimension drawing**



**Connection diagram**

