

IFRD 18N37T3/S14

Inductive sensors special versions - high temperature

Article number: 10150610

Overview

- 6 mm
- NPN break function (NC)
- connector M12
- -25 ... 100 °C
- IP 69K



Picture similar



Technical data

General data

Mounting type	Quasi-flush
Special type	Full metal housing (<kursiv>Duro-Prox</kursiv>) High temperature

Nominal sensing distance
Sn 6 mm

Hysteresis 2 ... 20 % of Sr

Electrical data

Switching frequency	< 100 Hz
Voltage supply range +Vs	10 ... 30 VDC
Current consumption max. (no load)	14 mA
Output circuit	NPN break function (NC)
Voltage drop Vd	< 2 VDC

Electrical data

Output current	< 100 mA
Short circuit protection	Yes
Reverse polarity protection	Yes

Mechanical data

Type	Cylindrical threaded
Material (sensing face)	Stainless steel 1.4404 (V4A)
Housing material	Stainless steel 1.4404 (V4A)
Operating pressure static	< 20 bar
Dimension	18 mm
Housing length	60 mm
Connection types	Connector M12

Ambient conditions

Operating temperature	-25 ... +100 °C
Protection class	IP 69K

Remarks

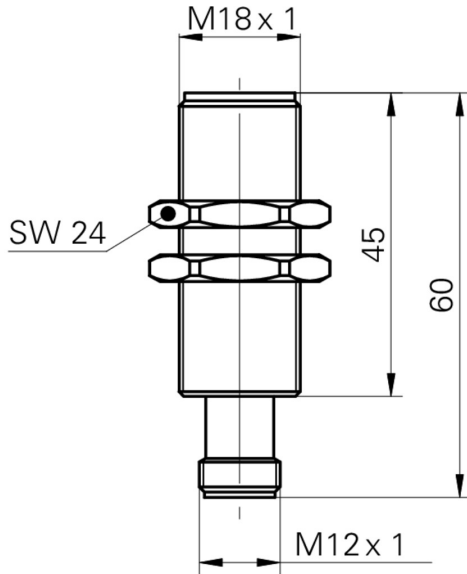
- Higher noise immunity (EMC), (EN 61000-6-2)

IFRD 18N37T3/S14

Inductive sensors special versions - high temperature

Article number: 10150610

Dimension drawing



Connection diagram

