

Overview

- 0,8 mm
- NPN make function (NO)
- wires, 0,5 m
- -25 ... 75 °C
- IP 67



Picture similar



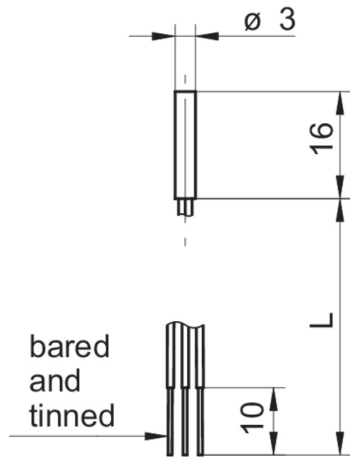
Technical data

General data		Electrical data	
Mounting type	Flush	Short circuit protection	Yes
Nominal sensing distance S _n	0.8 mm	Reverse polarity protection	Yes
Hysteresis	2 ... 20 % of S _r	Mechanical data	
Electrical data		Type	Cylindrical smooth
Switching frequency	3 kHz	Material (sensing face)	POM
Voltage supply range +V _s	6 ... 30 VDC	Housing material	Stainless steel
Current consumption max. (no load)	12 mA	Dimension	3 mm
Output circuit	NPN make function (NO)	Housing length	16 mm
Voltage drop V _d	< 2 VDC	Connection types	Wires, 0,5 m
Output current	< 100 mA	Ambient conditions	
		Operating temperature	-25 ... +75 °C
		Protection class	IP 67

Remarks

- Fully contained, 3 individual strands
- Cable version: 22 mm housing length
- Individual strands: 16 mm housing length

Dimension drawing



Connection diagram

