

Overview

- 1 mm
- NPN make function (NO)
- wires, 0,5 m
- -10 ... 70 °C
- IP 67



Picture similar



Technical data

General data

Mounting type	Flush
Nominal sensing distance S _n	1 mm
Temperature drift	- 5 % / + 10 % (+10 ... +60 °C) - 5 % / + 15 % (-10 ... +70 °C)
Hysteresis	2 ... 20 % of S _r
Output indicator	LED red

Electrical data

Switching frequency	< 4 kHz
Voltage supply range +V _s	6 ... 30 VDC
Current consumption max. (no load)	10 mA
Output circuit	NPN make function (NO)
Voltage drop V _d	< 2 VDC

Electrical data

Output current	< 100 mA
Short circuit protection	Yes
Reverse polarity protection	Yes

Mechanical data

Type	Cylindrical smooth
Material (sensing face)	POM
Housing material	Stainless steel
Dimension	3 mm
Housing length	12 mm
Connection types	Wires, 0,5 m

Ambient conditions

Operating temperature	-10 ... +70 °C
Protection class	IP 67

Remarks

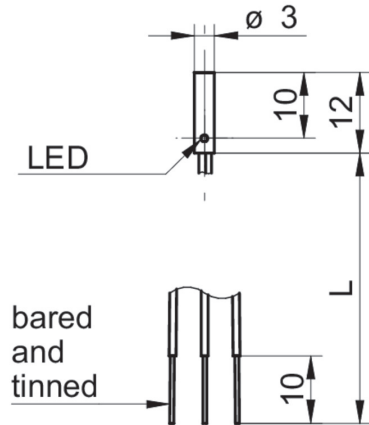
- Fully contained, 3 individual strands
- Cable version: 16 mm housing length
- Individual strands: 12 mm housing length

IFRM 03N1713/QL

Inductive proximity switch - subminiature extreme

Article number: 11166747

Dimension drawing



Connection diagram

