

**Overview**

- 1 mm
- NPN break function (NC)
- wires, 0,5 m
- -25 ... 75 °C
- IP 67



Picture similar



**Technical data**

**General data**

Mounting type	Flush
Nominal sensing distance S <sub>n</sub>	1 mm
Hysteresis	2 ... 20 % of S <sub>r</sub>

**Electrical data**

Switching frequency	5 kHz
Voltage supply range +V <sub>s</sub>	6 ... 30 VDC
Current consumption max. (no load)	12 mA
Output circuit	NPN break function (NC)
Voltage drop V <sub>d</sub>	< 2 VDC
Output current	< 200 mA

**Electrical data**

Short circuit protection	Yes
Reverse polarity protection	Yes

**Mechanical data**

Type	Cylindrical smooth
Material (sensing face)	LCP
Housing material	Stainless steel
Dimension	4 mm
Housing length	15 mm
Connection types	Wires, 0,5 m

**Ambient conditions**

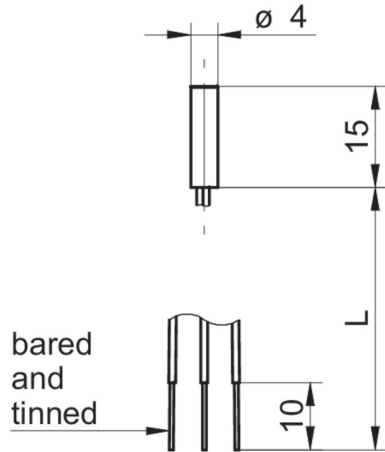
Operating temperature	-25 ... +75 °C
Protection class	IP 67

**Remarks**

- Fully contained, 3 individual strands
- 15 mm housing length

## IFRM 04N35A5/Q

### Dimension drawing



### Connection diagram

