

**Overview**

- 2 mm
- NPN break function (NC)
- flylead connector M8
- -25 ... 75 °C
- IP 67



*Picture similar*

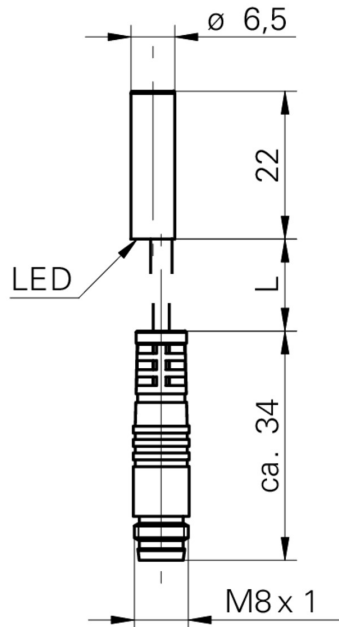


**Technical data**

General data		Electrical data	
Mounting type	Flush	Short circuit protection	Yes
Nominal sensing distance S <sub>n</sub>	2 mm	Reverse polarity protection	Yes
Hysteresis	3 ... 20 % of S <sub>r</sub>	Mechanical data	
Output indicator	LED red	Type	Cylindrical smooth
Electrical data		Material (sensing face)	PBT
Switching frequency	< 5 kHz	Housing material	Stainless steel
Voltage supply range +V <sub>s</sub>	6 ... 36 VDC	Dimension	6,5 mm
Current consumption max. (no load)	12 mA	Housing length	22 mm
Output circuit	NPN break function (NC)	Connection types	Flylead connector M8
Voltage drop V <sub>d</sub>	< 2 VDC	Ambient conditions	
Output current	< 200 mA	Operating temperature	-25 ... +75 °C
		Protection class	IP 67

2021-06-28 The product features and technical data specified do not express or imply any warranty. Technical modifications subject to change.

**Dimension drawing**



- Standard cable length 200 mm (L)

**Connection diagram**

