

IFRM 08N37A4/L

Inductive proximity switch - miniature

Article number: 10160256

overview

- 2 mm
- NPN break function (NC)
- cable, 2 m
- -25 ... 75 °C
- IP 67



Technical data

general data

mounting type	flush
nominal sensing distance S _n	2 mm
hysteresis	3 ... 20 % of S _r
output indicator	LED red

electrical data

switching frequency	< 5 kHz
voltage supply range +V _s	10 ... 30 VDC
current consumption max. (no load)	12 mA
output circuit	NPN break function (NC)
voltage drop V _d	< 2 VDC
output current	< 200 mA

electrical data

short circuit protection	yes
reverse polarity protection	yes

mechanical data

type	cylindrical threaded
material (sensing face)	PBT
housing material	stainless steel
dimension	8 mm
housing length	50 mm
connection types	cable, 2 m
tightening torque max.	10 Nm (Front: 7 Nm)

ambient conditions

operating temperature	-25 ... +75 °C
protection class	IP 67

remarks

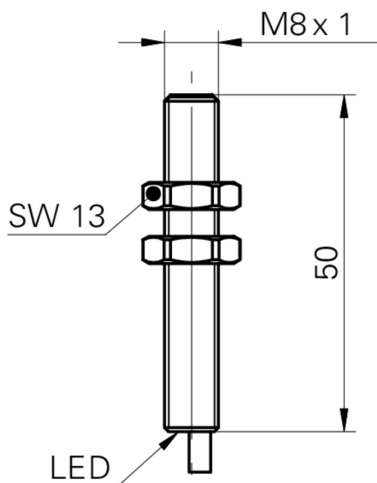
- long robust steel housings

IFRM 08N37A4/L

Inductive proximity switch - miniature

Article number: 10160256

dimension drawing



connection diagram

