

IFRM 12N13T1/PL

Inductive proximity switch - outdoor and washdown

Article number: 11016681

Overview

- 6 mm
- NPN make function (NO)
- cable PUR 3 x 0,25, 2 m
- -40 ... 80 °C
- IP 67



Picture similar



Technical data

General data

Mounting type	Non-flush
Special type	Outdoor design
Nominal sensing distance S _n	6 mm
Hysteresis	2 ... 15 % of S _r
Output indicator	LED red

Electrical data

Switching frequency	2 kHz
Voltage supply range +V _s	6 ... 30 VDC
Current consumption max. (no load)	10 mA
Output circuit	NPN make function (NO)
Voltage drop V _d	< 2 VDC
Output current	< 200 mA

Electrical data

Short circuit protection	Yes
Reverse polarity protection	Yes

Mechanical data

Type	Cylindrical threaded
Material (sensing face)	PBT
Housing material	Brass nickel plated
Dimension	12 mm
Housing length	50 mm
Connection types	Cable PUR 3 x 0,25, 2 m
Tightening torque max.	15 Nm (Front: 10 Nm)

Ambient conditions

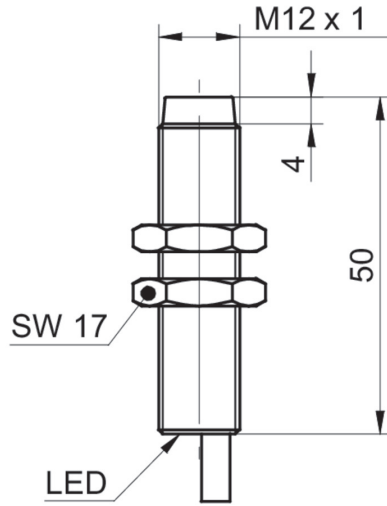
Operating temperature	-40 ... +80 °C
Protection class	IP 67

IFRM 12N13T1/PL

Inductive proximity switch - outdoor and washdown

Article number: 11016681

Dimension drawing



Connection diagram

