

Overview

- 4 mm
- PNP make function (NO)
- cable, 2 m
- IP 67



Picture similar



Technical data

General data

Mounting type	Flush
Nominal sensing distance S _n	4 mm
Hysteresis	3 ... 20 % of S _r
Output indicator	LED red
Approvals/certificates	ATEX 3D

Electrical data

Switching frequency	2 kHz
Voltage supply range +V _s	10 ... 30 VDC
Current consumption max. (no load)	10 mA
Output circuit	PNP make function (NO)
Voltage drop V _d	< 2 VDC
Output current	< 200 mA
Short circuit protection	Yes

Electrical data

Reverse polarity protection	Yes
-----------------------------	-----

Mechanical data

Type	Cylindrical threaded
Material (sensing face)	PBT
Housing material	Brass nickel plated
Dimension	12 mm
Housing length	40 mm
Connection types	Cable, L=2 m
Tightening torque max.	15 Nm (Front: 10 Nm)

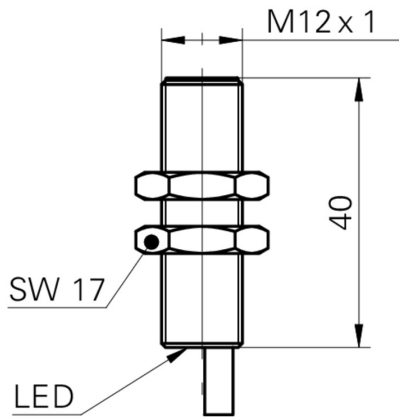
Ambient conditions

Protection class	IP 67
------------------	-------

Safe maximum values

Marking	II 3D Ex tc IIIC T100°C Dc X
Operating temperature T _a	-25 ... +65 °C

Dimension drawing



Connection diagram

