

Overview

- 4 mm
- PNP break function (NC)
- connector M8
- -25 ... 75 °C
- IP 67



Picture similar



Technical data

General data

Mounting type	Flush
Nominal sensing distance S _n	4 mm
Hysteresis	3 ... 25 % of S _r
Output indicator	3 port LED red

Electrical data

Switching frequency	< 2 kHz
Voltage supply range +V _s	6 ... 36 VDC
Current consumption max. (no load)	18 mA
Output circuit	PNP break function (NC)
Voltage drop V _d	< 3 VDC
Output current	< 200 mA

Electrical data

Short circuit protection	Yes
Reverse polarity protection	Yes

Mechanical data

Type	Cylindrical threaded
Material (sensing face)	PBT
Housing material	Brass nickel plated
Dimension	12 mm
Housing length	50 mm
Connection types	Connector M8
Tightening torque max.	15 Nm (Front: 10 Nm)

Ambient conditions

Operating temperature	-25 ... +75 °C
Protection class	IP 67

Remarks

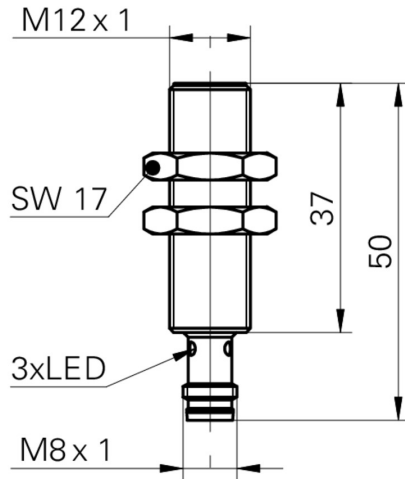
- M8 x 1 quick disconnect

IFRM 12P3701/S35L

Inductive proximity switch - standard

Article number: 10225153

Dimension drawing



Connection diagram

