

## IFRM 18N13T1/PL

Inductive proximity switch - outdoor and washdown

Article number: 11016659

### Overview

- 12 mm
- NPN make function (NO)
- cable PUR 3 x 0,25, 2 m
- -40 ... 80 °C
- IP 67



Picture similar



### Technical data

#### General data

Mounting type	Non-flush
Special type	Outdoor design
Nominal sensing distance S <sub>n</sub>	12 mm
Hysteresis	2 ... 15 % of S <sub>r</sub>
Output indicator	LED red

#### Electrical data

Switching frequency	500 Hz
Voltage supply range +V <sub>s</sub>	6 ... 30 VDC
Current consumption max. (no load)	10 mA
Output circuit	NPN make function (NO)
Voltage drop V <sub>d</sub>	< 2 VDC
Output current	< 200 mA

#### Electrical data

Short circuit protection	Yes
Reverse polarity protection	Yes

#### Mechanical data

Type	Cylindrical threaded
Material (sensing face)	PBT
Housing material	Brass nickel plated
Dimension	18 mm
Housing length	50 mm
Connection types	Cable PUR 3 x 0,25, 2 m
Tightening torque max.	40 Nm (Front: 28 Nm)

#### Ambient conditions

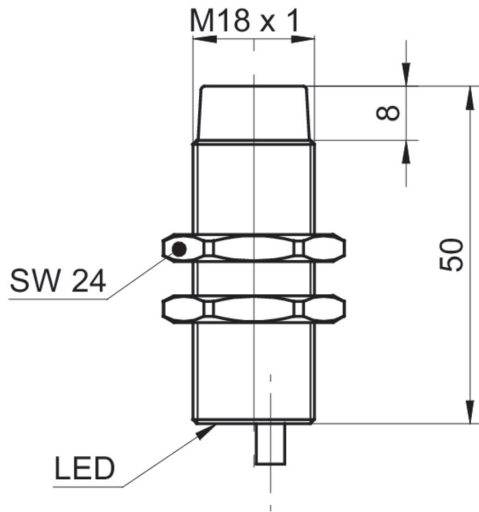
Operating temperature	-40 ... +80 °C
Protection class	IP 67

# IFRM 18N13T1/PL

Inductive proximity switch - outdoor and washdown

Article number: 11016659

## Dimension drawing



## Connection diagram

